



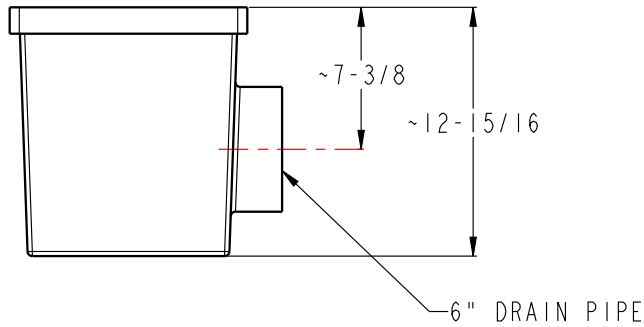
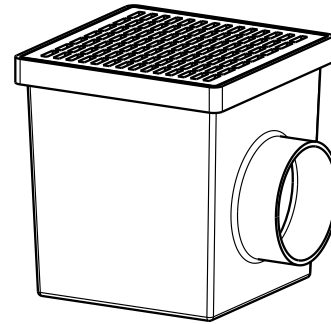
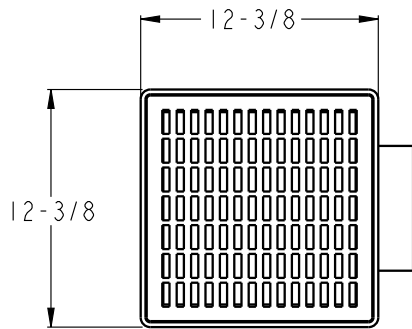
## Drains

We offer two standard sizes of catch basins and grates for your spray parks. Nirbo catch basins have a sump area that collect debris and prevents clogging of the pipeline, and grates are available in a variety of colours to blend in with surrounding surfaces.



### **Nirbo Aquatic Inc.**

39-2400 Lucknow Drive, Mississauga, ON L5S 1T9, Canada  
Toll Free: 1.888.68.NIRBO (64726) | Tel: 1.905.766.4474 | Fax: 1.905.766.4467  
Website: [www.nirbo.com](http://www.nirbo.com) | Email: [info@nirbo.com](mailto:info@nirbo.com)



NOTES:

- 1- GRATE DRAINAGE CAPACITY: 66 GPM
- 2- MANUFACTURER: NDS, 1-800-726-1994

QTY	PART NO	DESCRIPTION
1	1200	12" ONE PIECE CATCH BASIN, 2 OPENINGS, BLACK
1	1210	12" X 12" SQUARE GRATE, GRAY
1	1206	6" CATCH BASIN PLUG, BLACK
1	1266	6" UNIVERSAL OUTLET, BLACK

**NIRBO  
AQUATIC INC.**

ALL INFORMATION CONTAINED  
IN THIS DOCUMENT IS PROPERTY  
OF NIRBO AQUATIC INC. AND  
MAY NOT BE REPRODUCED OR  
COMMUNICATED WITHOUT  
PERMISSION IN WRITING FROM  
NIRBO AQUATIC INC.

DATE  
(yyyy.mm.dd)  
2010.12.09

DRAIN, 12"X12" WITH 6" OUT

UNIT  
FT-INCH  
[CM]

SHEET  
1 / 1

DRAWING NO  
01074-01-D15

REV  
01