



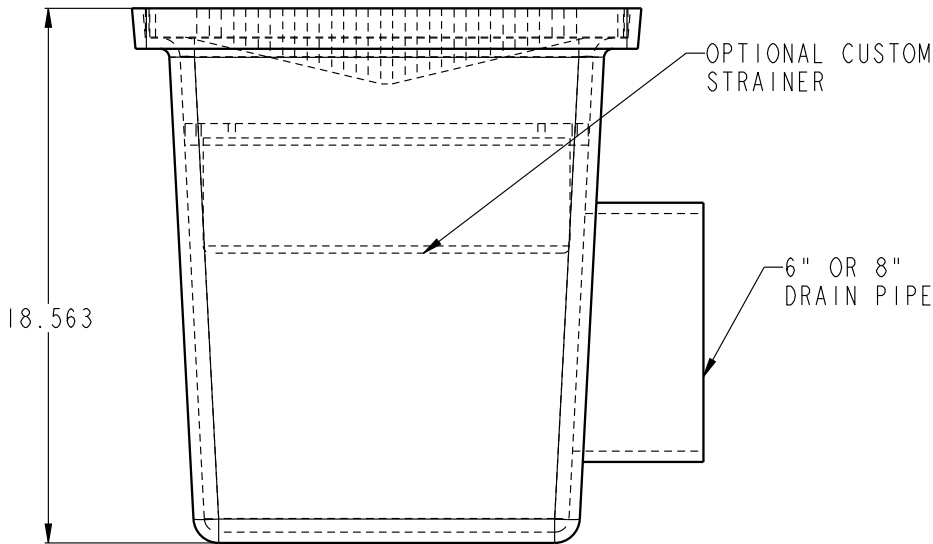
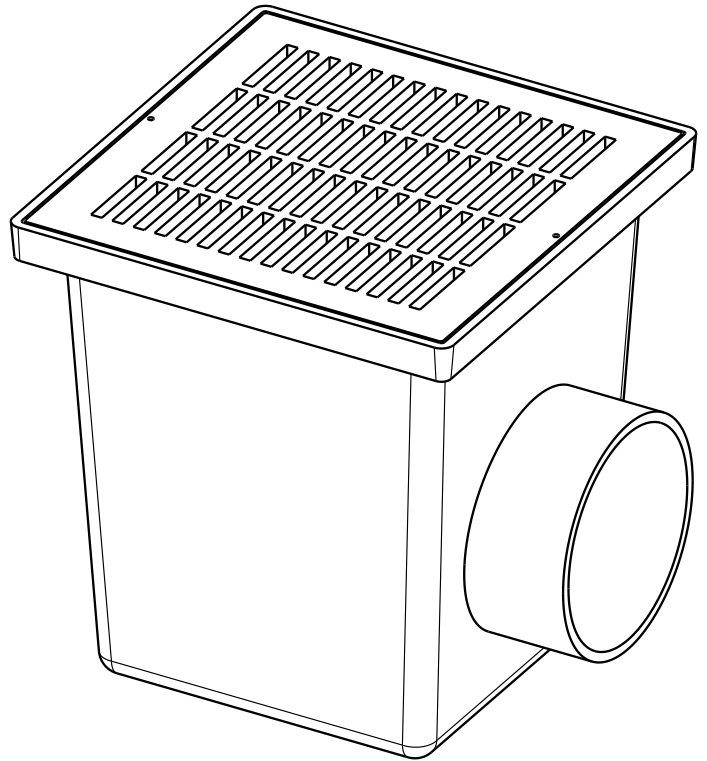
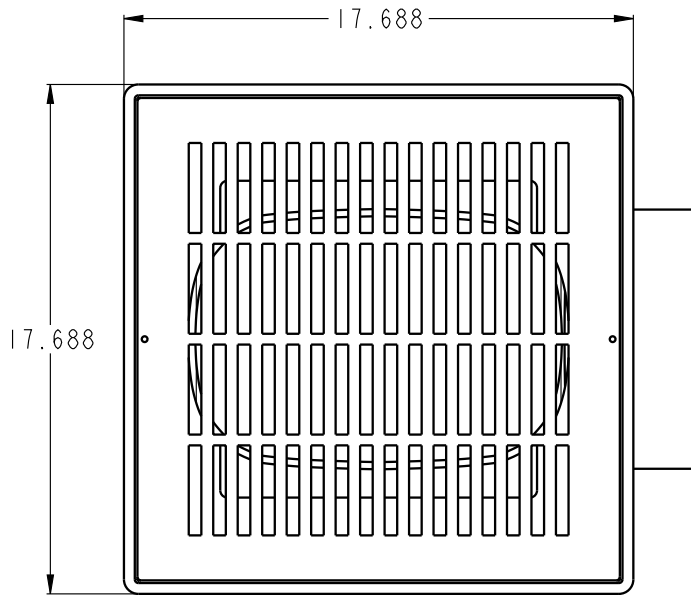
Drains

We offer two standard sizes of catch basins and grates for your spray parks. Nirbo catch basins have a sump area that collect debris and prevents clogging of the pipeline, and grates are available in a variety of colours to blend in with surrounding surfaces.



Nirbo Aquatic Inc.

39-2400 Lucknow Drive, Mississauga, ON L5S 1T9, Canada
Toll Free: 1.888.68.NIRBO (64726) | Tel: 1.905.766.4474 | Fax: 1.905.766.4467
Website: www.nirbo.com | Email: info@nirbo.com



NOTES:

1- GRATE DRAINAGE CAPACITY: 136 GPM

2- MANUFACTURER: NDS, 1-800-726-1994

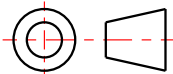
QTY	PART NO	DESCRIPTION
1	1882	18" ONE PIECE CATCH BASIN, BLACK
1	1810	18" X 18" SQUARE GRATE, GRAY
1	1206	6" CATCH BASIN PLUG, BLACK
1	1888	8" UNIVERSAL OUTLET, BLACK

**NIRBO
AQUATIC INC.**

ALL INFORMATION CONTAINED
IN THIS DOCUMENT IS PROPERTY
OF NIRBO AQUATIC INC. AND
MAY NOT BE REPRODUCED OR
COMMUNICATED WITHOUT
PERMISSION IN WRITING FROM
NIRBO AQUATIC INC.

DATE
(yyyy.mm.dd)
2015.02.24

DRAIN, 18" SQUARE, 6" OR 8" OUT



UNIT
INCH
[CM]

SHEET
1 / 1

DRAWING NO
01074-02-D15

REV
A