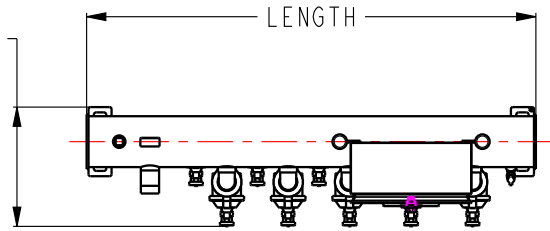
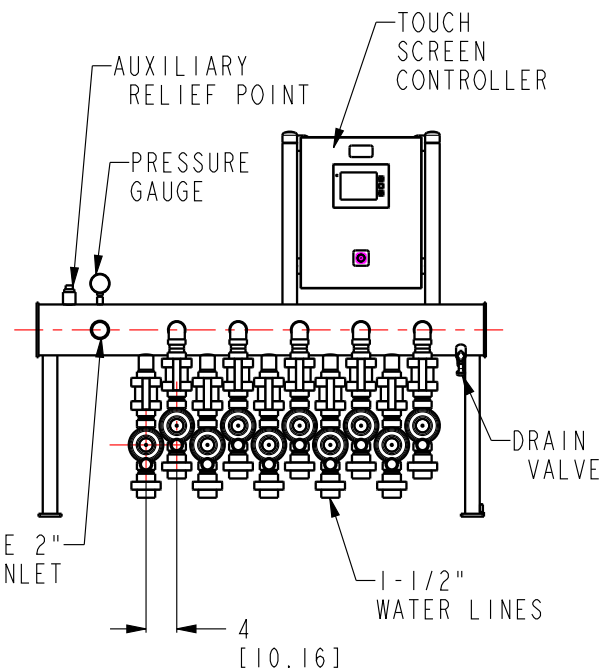
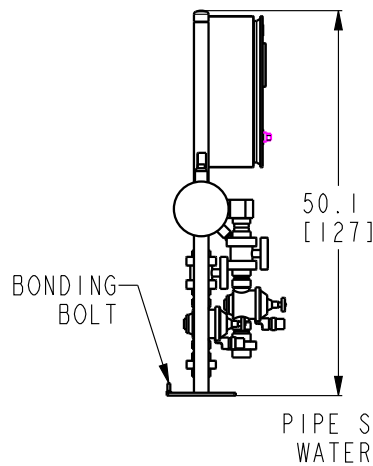
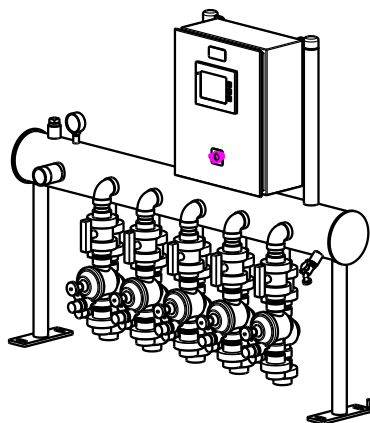


MODEL NO	NO. OF VALVES	LENGTH
03066-02-02	2	37.5
03066-02-03	3	37.5
03066-02-04	4	37.5
03066-02-05	5	37.5
03066-02-06	6	58.5
03066-02-07	7	58.5
03066-02-08	8	58.5
03066-02-09	9	58.5
03066-02-10	10	58.5
03066-02-11	11	78.5
03066-02-12	12	78.5
03066-02-13	13	78.5
03066-02-14	14	78.5
03066-02-15	15	78.5
03066-02-16	16	98.5
03066-02-17	17	98.5
03066-02-18	18	98.5
03066-02-19	19	98.5
03066-02-20	20	98.5



B

B



MANIFOLD SPECS:

- 1- MANIFOLDS SHALL BE BUILT FROM 6.625 INCH DIAMETER 304 STAINLESS STEEL PIPE.
- 2- MANIFOLD SHALL BE POWDER COATED FOR FURTHER PROTECTION.
- 3- MANIFOLD VAULT SHALL BE 304 STAINLESS STEEL
- 3- ALL SOLENOID VALVE LINES SHALL HAVE A TRUE UNION FITTING ON BOTH ENDS
- 4- MANIFOLD PIPES, FITTINGS AND VALES SHALL BE MADE OF THICK-WALL (SCHEDULE 80) DARK GRAY PVC.

A

A

**NIRBO
AQUATIC INC.**

ALL INFORMATION CONTAINED IN THIS DOCUMENT IS PROPERTY OF NIRBO AQUATIC INC. AND MAY NOT BE REPRODUCED OR COMMUNICATED WITHOUT PERMISSION IN WRITING FROM NIRBO AQUATIC INC.

DATE (yyyy.mm.dd)
2019.03.27

UNIT
INCH

MANIFOLD
ENCLOSURE MOUNTED

SHEET
1 / 1

DRAWING NO
03066-02-XX-D02

REV
01

