



Nirbo water features are made from high quality stainless steel material, are very durable and have excellent fun factor. There are over one hundred different water features to choose from, this product is just a great example. We use brass or stainless steel nozzles which are ideal materials for the application.

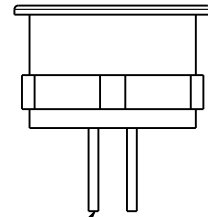
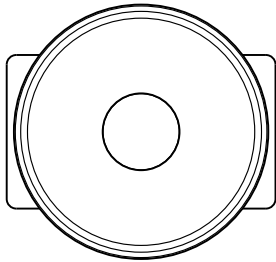
### **Step-on Activator** | 03166

| <b>Width</b> | <b>Length</b> | <b>Height</b> |
|--------------|---------------|---------------|
| 7" (18 cm)   | 7" (18 cm)    | 6" (14 cm)    |

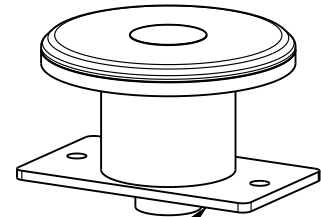


### **Nirbo Aquatic Inc.**

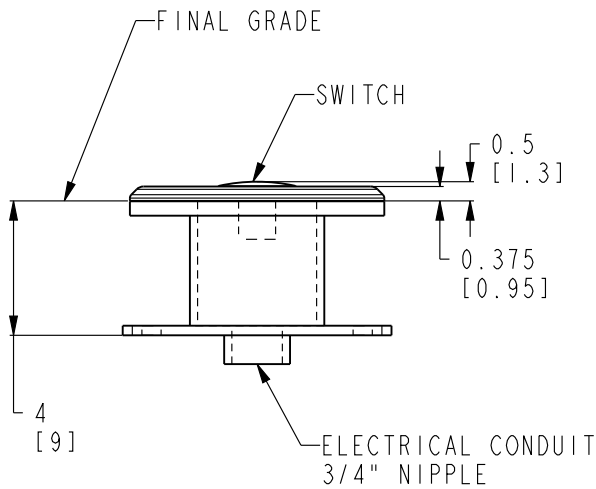
2430 Lucknow Drive, unit 14, Mississauga, ON L5S 1V3, Canada  
Toll Free: 1.888.68.NIRBO (64726) | Tel: 1.905.766.4474 | Fax: 1.905.766.4467  
Website: [www.nirbo.com](http://www.nirbo.com) | Email: [info@nirbo.com](mailto:info@nirbo.com)



CONNECTED TO CONTACT 31-33  
ON CONTROLLER BOX  
SWITCH (24V AC/DC)



FOR FOOTING DETAILS SEE  
DRAWING NO: 03008-25



- 1- STRUCTURE: TYPE 304 STAINLESS STEEL
- 2- FINISH: UV RESISTANT POLYESTER POWDER COATING
- 3- PRODUCT INCLUDES:  
ANCHOR BOLTS WITH HARDWARE AND FOOTING TEMPLATE  
SERVICE TOOLS  
TAMPER RESISTANT HARDWARE
- 4- GROUND COMPONENT WITH #6 BARE COPPER WIRE
- 5- PRODUCT COMPLIANCE:  
MEETS ADA ACCESSIBILITY GUIDELINES  
MEETS CURRENT ASTM F1487 SAFETY STANDARDS

**NIRBO  
AQUATIC INC.**

ALL INFORMATION CONTAINED  
IN THIS DOCUMENT IS PROPERTY  
OF NIRBO AQUATIC INC. AND  
MAY NOT BE REPRODUCED OR  
COMMUNICATED WITHOUT  
PERMISSION IN WRITING FROM  
NIRBO AQUATIC INC.

DATE  
(yyyy.mm.dd)  
2013.10.30

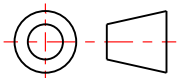
FOOT ACTIVATOR

UNIT  
INCH  
[CM]

SHEET  
1/2

DRAWING NO  
03166-01-D15

REV  
01



2

I

Nirbo Aquatic Inc.  
 Tel: 1-905-766-4474, Fax: 1-905-766-4467, Web: www.nirbo.com

3/8" ANCHOR BOLT  
 NUT  
 LOCK WASHER  
 FLAT WASHER  
 FLAT WASHER  
 NUT  
 NUT  
 GROUND LEVEL  
 CONCRETE SLAB  
 COMPACTED GRANULAR  
 UNDISTURBED SOIL  
 Ø 12 MIN [30] CONCRETE FOOTING  
 NIRBO AQUATIC ACTIVATOR FEATURE  
 3/4" ELECTRICAL CONDUIT (BY OTHERS)  
 12 [30]  
 4 [10]  
 12 MIN [30] CONCRETE FOOTING  
 SEE DETAIL A  
 SECTION A-A  
 CONCRETE FOOTING  
 DETAIL A  
 SCALE 1:2

NOTES:

- 1- FOLLOW LOCAL CODES, WHEREVER APPLICABLE.
- 2- GRANULAR BASE THICKNESS SHALL MEET LOCAL BUILDING CODE REQUIREMENTS.
- 3- POWER SUPPLY LINE SHALL BE INSTALLED PER LOCAL BUILDING CODES.
- 4- HARDWARE SUPPLIED BY MANUFACTURER SHALL BE USED.

**NIRBO  
 AQUATIC INC.**

ALL INFORMATION CONTAINED  
 IN THIS DOCUMENT IS PROPERTY  
 OF NIRBO AQUATIC INC. AND  
 MAY NOT BE REPRODUCED OR  
 COMMUNICATED WITHOUT  
 PERMISSION IN WRITING FROM  
 NIRBO AQUATIC INC.

DATE  
 (yyyy.mm.dd)  
 2013.10.21

UNIT  
 INCH  
 [CM]

INSTALLATION,  
 GROUND FEATURE

SHEET  
 1 / 1

DRAWING NO  
 03008-25

REV  
 01

2

I