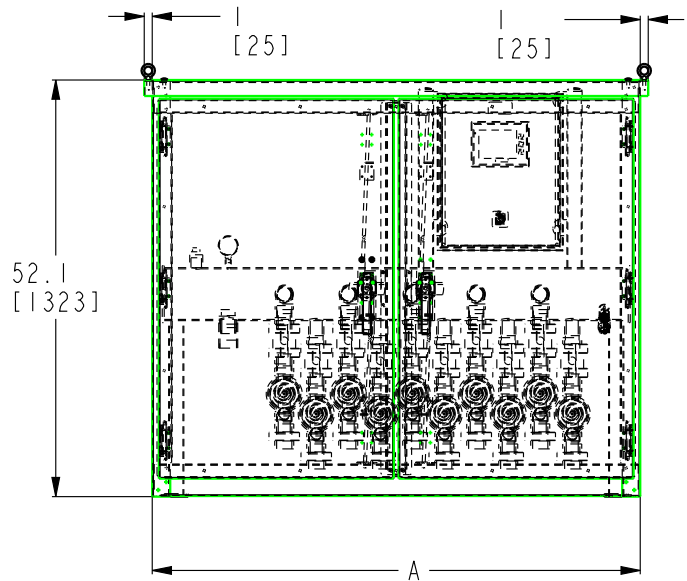
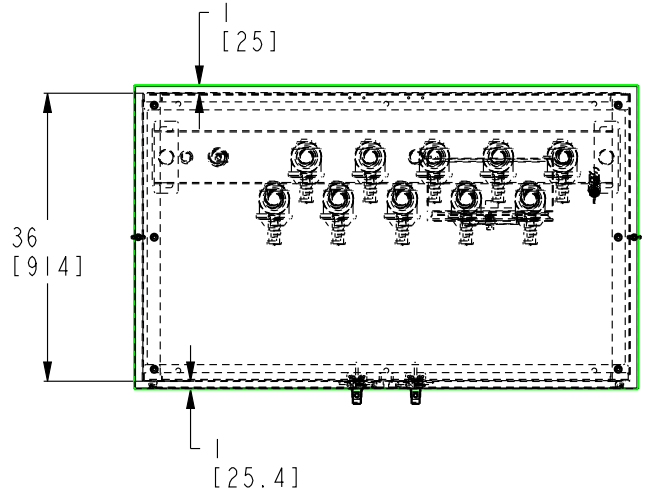
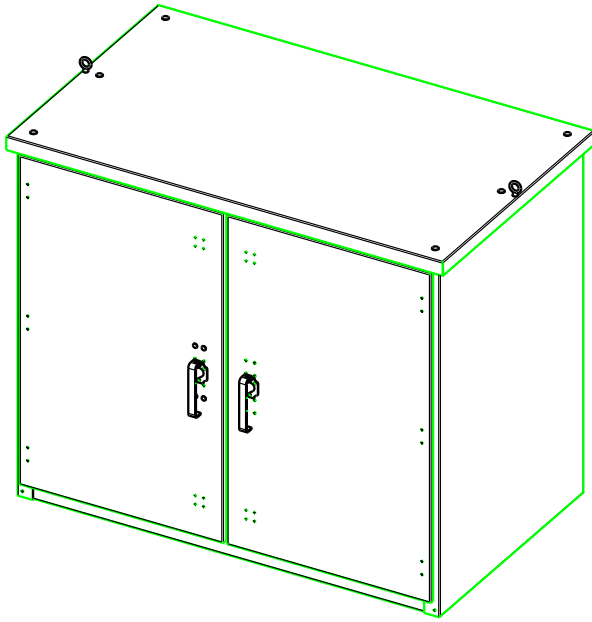


B

B



MODEL NO	NO. OF VALVES	A
03223-00	2 TO 5	40
03223-01	6 TO 10	61
03223-02	11 TO 15	83
03223-03	15 TO 20	103

NOTES:

1- ENCLOSURE MATERIAL: 304 POLISHED STAINLESS STEEL

A

A

**NIRBO
AQUATIC INC.**

ALL INFORMATION CONTAINED
IN THIS DOCUMENT IS PROPERTY
OF NIRBO AQUATIC INC. AND
MAY NOT BE REPRODUCED OR
COMMUNICATED WITHOUT
PERMISSION IN WRITING FROM
NIRBO AQUATIC INC.

DATE
(yyyy.mm.dd)
2019.03.27

UNIT
INCH
[mm]

ENCLOSURE

SHEET
1 / 1

DRAWING NO
03223-XX-D15

REV
A

