

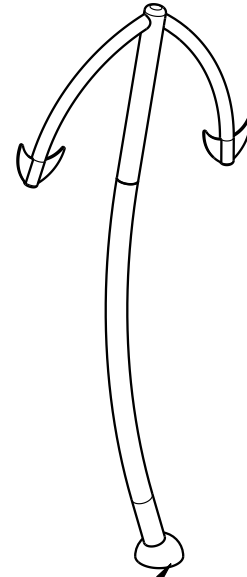
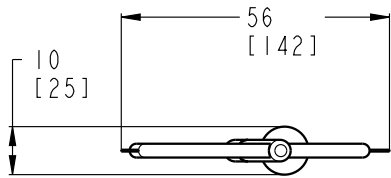
Nirbo water features are made from high quality stainless steel and engineering plastics materials, therefore they are very durable and have excellent fun factor. There are over one hundred different water features to choose from, this product is just a great example. We use brass or stainless steel nozzles which are ideal materials for the application.

Boat Anchor | 03467

| GPM | Max PSI | LPM | Max Bar |
|-------------|--------------|---------------|---------|
| 20 | 10 | 80 | 0.7 |
| Width | Length | Height | |
| 10" (25 cm) | 56" (142 cm) | 132" (336 cm) | |

Nirbo Aquatic Inc.

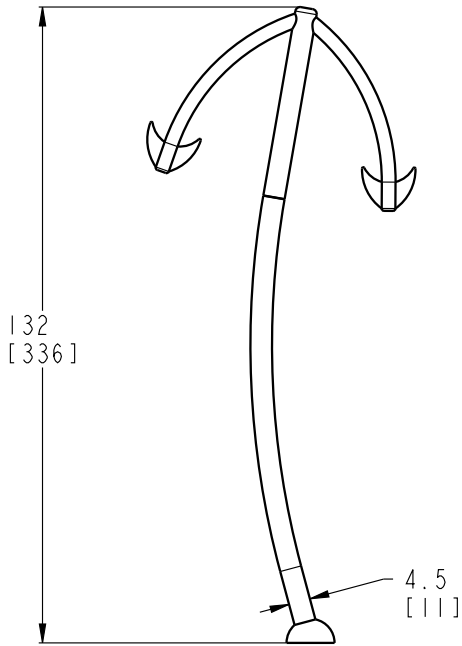
2400 Lucknow Drive, unit 39, Mississauga, ON L5S 1T9, Canada
Toll Free: 1.888.68.NIRBO (64726) | Tel: 1.905.766.4474 | Fax: 1.905.766.4467
Website: www.nirbo.com | Email: info@nirbo.com



FOR FOOTING DETAILS SEE
DRAWING NO: 03008-33

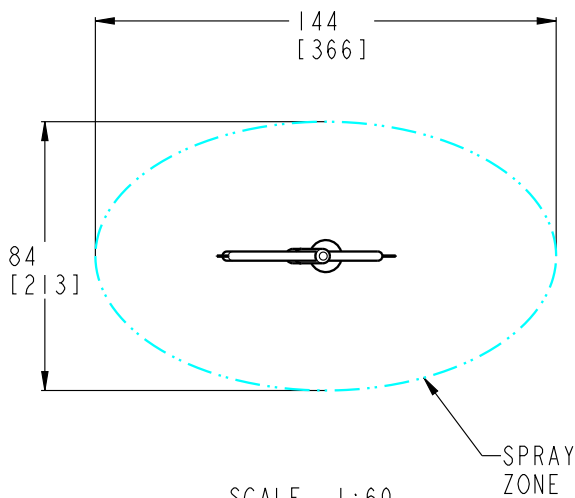
B

B



A

A



SCALE 1:60

| FLOW (5-10 PSI) | LOW | NORMAL | HIGH |
|-----------------|--------|--------|---------|
| GPM-[LPM] | 14[56] | 20[80] | 30[120] |

- 1- STRUCTURE: TYPE 304 STAINLESS STEEL
NOZZLE: BRASS OR STAINLESS STEEL
- 2- FINISH: UV RESISTANT POLYESTER POWDER COATING
- 3- PRODUCT INCLUDES:
ANCHOR BOLTS WITH HARDWARE AND FOOTING TEMPLATE
SPRAY NOZZLES
WINTER NOZZLE CAPS
SERVICE TOOLS
TAMPER RESISTANT HARDWARE
- 4- GROUND COMPONENT WITH #6 BARE COPPER WIRE
- 5- PRODUCT COMPLIANCE:
MEETS ADA ACCESSIBILITY GUIDELINES
MEETS CURRENT ASTM F1487 SAFETY STANDARDS

**NIRBO
AQUATIC INC.**

ALL INFORMATION CONTAINED
IN THIS DOCUMENT IS PROPERTY
OF NIRBO AQUATIC INC. AND
MAY NOT BE REPRODUCED OR
COMMUNICATED WITHOUT
PERMISSION IN WRITING FROM
NIRBO AQUATIC INC.

DATE
(yyyy.mm.dd)
2016.01.07

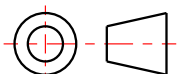
BOAT ANCHOR

UNIT
INCH
[CM]

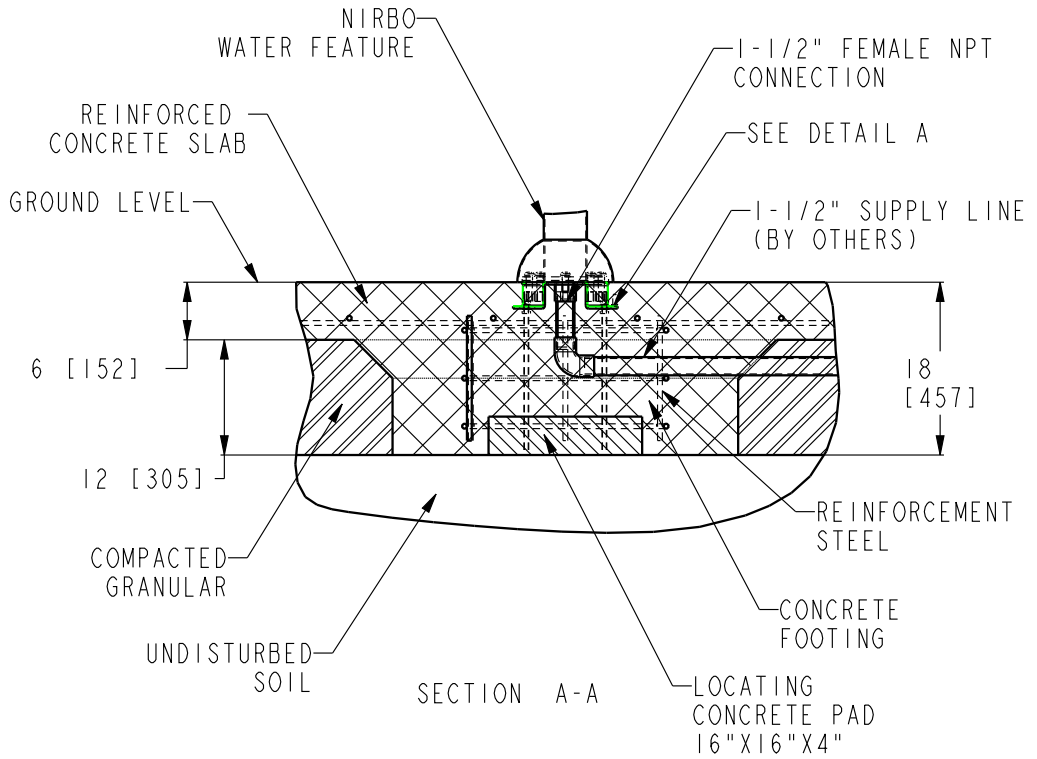
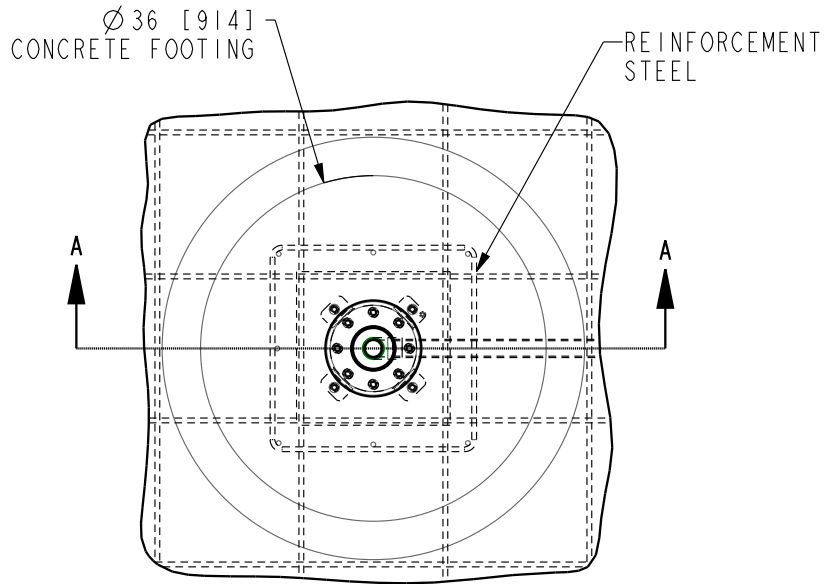
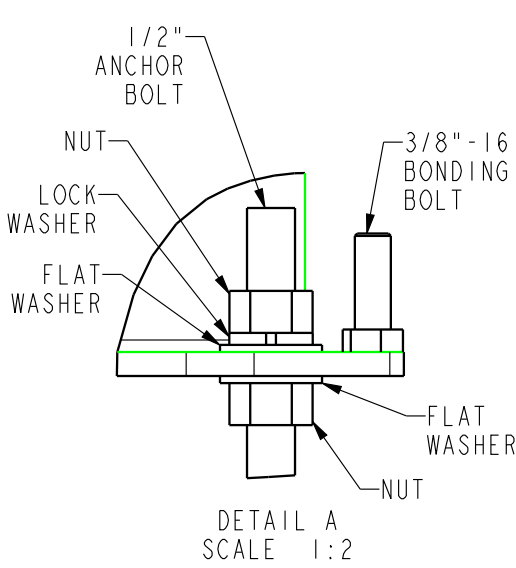
SHEET
1/2

DRAWING NO
03467-02-D15

REV
01



Nirbo Aquatic Inc.
 Tel: 1-905-766-4474, Fax: 1-905-766-4467, Web: www.nirbo.com



NOTES:

- 1- FOLLOW LOCAL CODES, WHEREVER APPLICABLE.
- 2- GRANULAR BASE THICKNESS SHALL MEET LOCAL BUILDING CODE REQUIREMENTS.
- 3- WATER SUPPLY LINE SHALL BE INSTALLED PER LOCAL BUILDING CODES.
- 4- HARDWARE SUPPLIED BY MANUFACTURER SHALL BE USED.

| | | | | | | |
|--|--|--|---------------------------------|--|-----------|--|
| | NIRBO AQUATIC INC. | ALL INFORMATION CONTAINED IN THIS DOCUMENT IS PROPERTY OF NIRBO AQUATIC INC. AND MAY NOT BE REPRODUCED OR COMMUNICATED WITHOUT PERMISSION IN WRITING FROM NIRBO AQUATIC INC. | DATE (yyyy.mm.dd) 2018.10.24 | SURFACE MOUNTED INSTALLATION, 3" & 4" PIPES | | |
| | | UNIT INCH [mm] | SHEET 1 / 1 | DRAWING NO 03008-33 | REV 01 | |