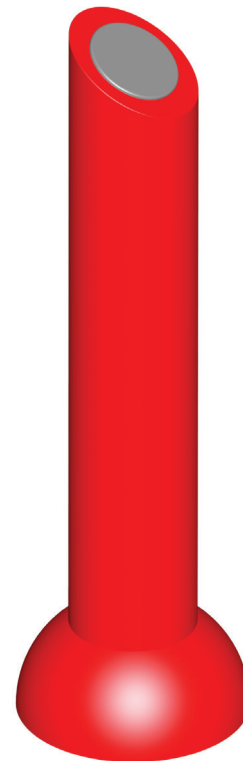




Nirbo water features are made from high quality stainless steel material, are very durable and have excellent fun factor. There are over one hundred different water features to choose from, this product is just a great example. We use brass or stainless steel nozzles which are ideal materials for the application.

**Activator-03** | 03569

| Width       | Length      | Height      |
|-------------|-------------|-------------|
| 12" (30 cm) | 12" (30 cm) | 35" (89 cm) |

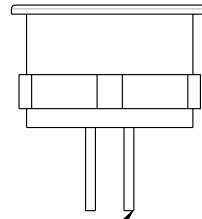
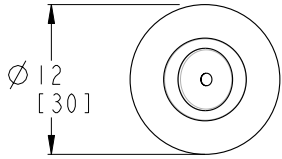


**Nirbo Aquatic Inc.**

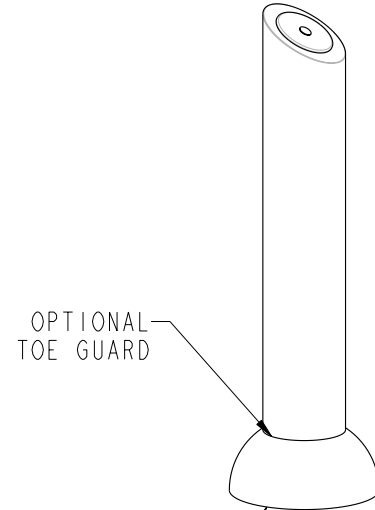
2430 Lucknow Drive, unit 14, Mississauga, ON L5S 1V3, Canada

Toll Free: 1.888.68.NIRBO (64726) | Tel: 1.905.766.4474 | Fax: 1.905.766.4467

Website: [www.nirbo.com](http://www.nirbo.com) | Email: [info@nirbo.com](mailto:info@nirbo.com)

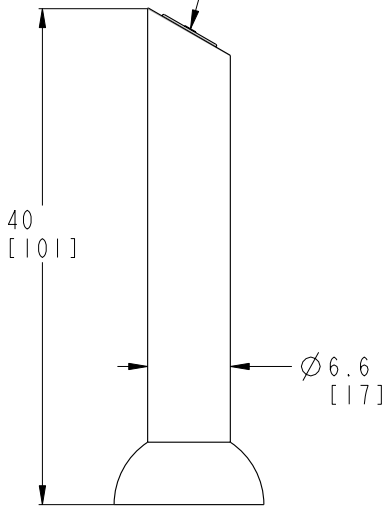


SENSOR SHALL BE CONNECTED TO POINT 31-31 ON CONTROLLER BOX  
 Capacitive (24V AC)  
 or Piezo Switch (24V AC/DC)



FOR FOOTING DETAILS SEE DRAWING NO: 03008-19

CONTROLLER SWITCH



- 1- STRUCTURE: TYPE 304 STAINLESS STEEL  
CAP: PLASTIC
- 2- FINISH: UV RESISTANT POLYESTER POWDER COATING
- 3- PRODUCT INCLUDES:  
ANCHOR BOLTS WITH HARDWARE AND FOOTING TEMPLATE  
SERVICE TOOLS  
TAMPER RESISTANT HARDWARE
- 4- GROUND COMPONENT WITH #6 BARE COPPER WIRE
- 5- PRODUCT COMPLIANCE:  
MEETS ADA ACCESSIBILITY GUIDELINES  
MEETS CURRENT ASTM F1487 SAFETY STANDARDS
- 6- THIS PRODUCT IS BATTERY POWERED AND DOESN'T REQUIRE EXTERNAL POWER SUPPLY, THERE IS A BUILT IN FACTORY PROGRAMMABLE CONTROLLER. IT CAN CONTROL TWO VALVES.

**NIRBO  
AQUATIC INC.**

ALL INFORMATION CONTAINED IN THIS DOCUMENT IS PROPERTY OF NIRBO AQUATIC INC. AND MAY NOT BE REPRODUCED OR COMMUNICATED WITHOUT PERMISSION IN WRITING FROM NIRBO AQUATIC INC.

DATE (yyyy.mm.dd)  
2014.01.09

ACTIVATOR-02  
SURFACE MOUNTED

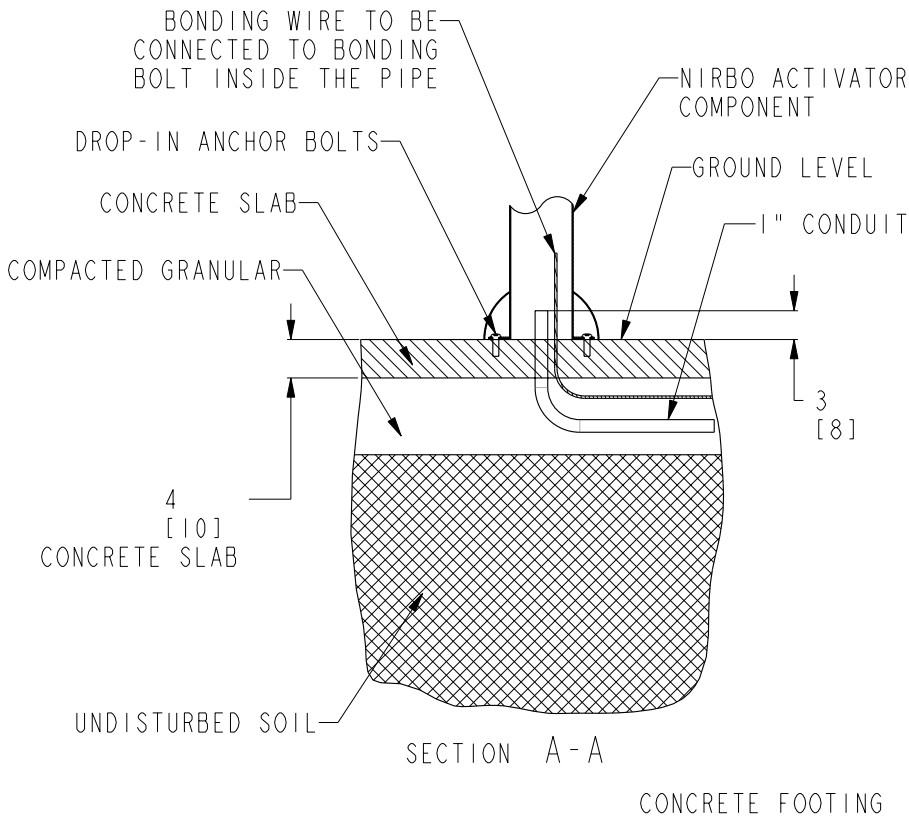
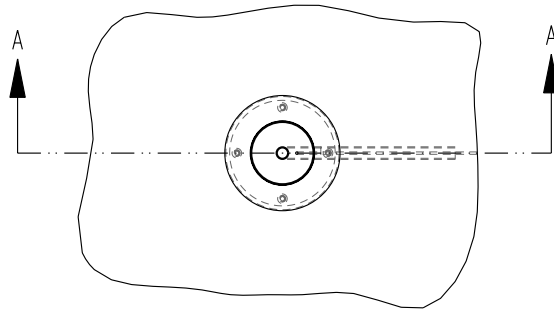
UNIT  
INCH  
[CM]

SHEET  
1 / 2

DRAWING NO  
03569-02-D15

REV  
01

Nirbo Aquatic Inc.  
Tel: 1-905-766-4474, Fax: 1-905-766-4467, Web: www.nirbo.com



NOTES:

- 1- FOLLOW LOCAL CODES, WHEREVER APPLICABLE.
- 2- GRANULAR BASE THICKNESS SHALL MEET LOCAL BUILDING CODE REQUIREMENTS.
- 3- HARDWARE SUPPLIED BY MANUFACTURER SHALL BE USED ONLY.

|                               |  |                      |                                    |   |           |
|-------------------------------|--|----------------------|------------------------------------|---|-----------|
| <b>NIRBO<br/>AQUATIC INC.</b> | ALL INFORMATION CONTAINED IN THIS DOCUMENT IS PROPERTY OF NIRBO AQUATIC INC. AND MAY NOT BE REPRODUCED OR COMMUNICATED WITHOUT PERMISSION IN WRITING FROM NIRBO AQUATIC INC. |                      | DATE<br>(yyyy.mm.dd)<br>2013.10.21 | SURFACE MOUNTED INSTALATION,<br>ACTIVATOR |           |
|                               |  | UNIT<br>INCH<br>[CM] | SHEET<br>1 / 1                     | DRAWING NO<br>03008-19                    | REV<br>01 |