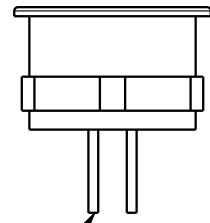
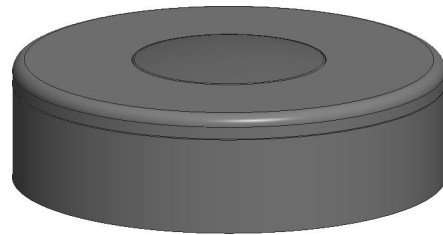
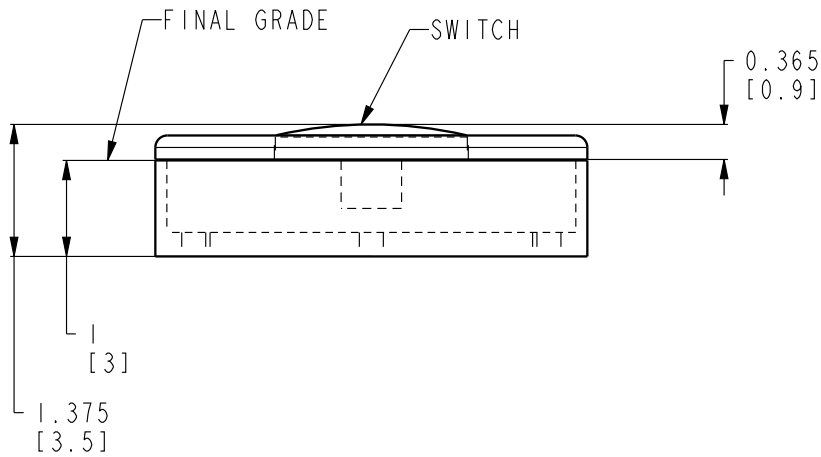


4X WALL MOUNTING POINTS

Ø 4.5
[11.43]



CONNECTED TO CONTACT 31-33
ON CONTROLLER BOX
SWITCH (24V AC/DC)



- 1- STRUCTURE: TYPE 304 POLISHED STAINLESS STEEL
- 2- PRODUCT INCLUDES:
HARDWARE AND TAMPER RESISTANT SERVICE TOOLS
- 3- GROUND COMPONENT ELECTRICAL LOCAL CODES
- 4- PRODUCT COMPLIANCE:
MEETS ADA ACCESSIBILITY GUIDELINES
MEETS CURRENT ASTM F1487 SAFETY STANDARDS

**NIRBO
AQUATIC INC.**

ALL INFORMATION CONTAINED
IN THIS DOCUMENT IS PROPERTY
OF NIRBO AQUATIC INC. AND
MAY NOT BE REPRODUCED OR
COMMUNICATED WITHOUT
PERMISSION IN WRITING FROM
NIRBO AQUATIC INC.

DATE
(yyyy.mm.dd)
2013.10.30

WALL ACTIVATOR

UNIT
INCH
[CM]

SHEET
1 / 1

DRAWING NO
03713-01-D15

REV
01

