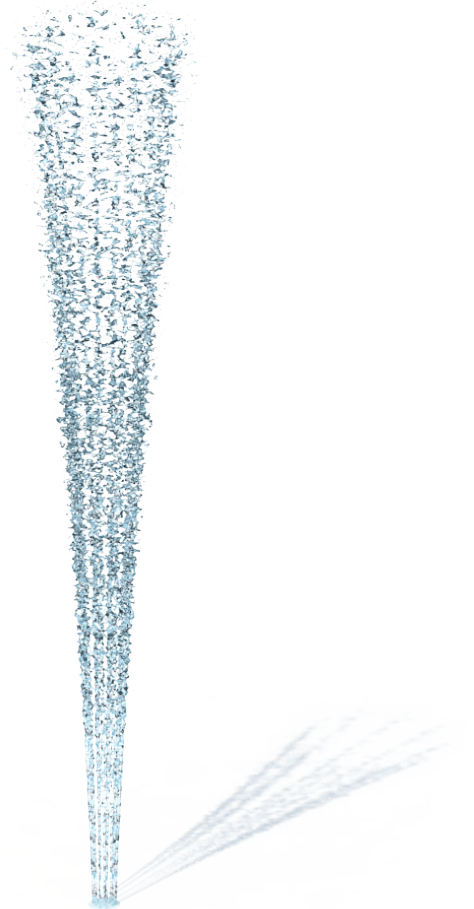




Nirbo water features are made from high quality stainless steel material, are very durable and have excellent fun factor. There are over one hundred different water features to choose from, this product is just a great example. We use brass or stainless steel nozzles which are ideal materials for the application.

Mini Ground Spray | 03762

GPM	PSI	LPM	Bar
8	5	32	0.35
Width	Length	Height	
3" (8 cm)	6" (15 cm)	5" (13 cm)	

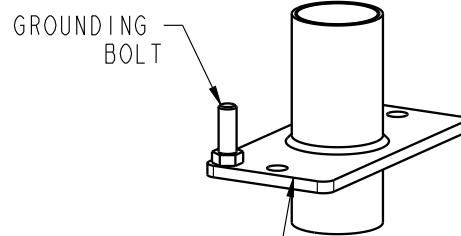
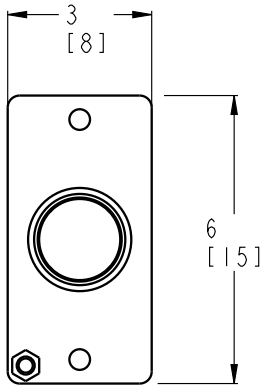


Nirbo Aquatic Inc.

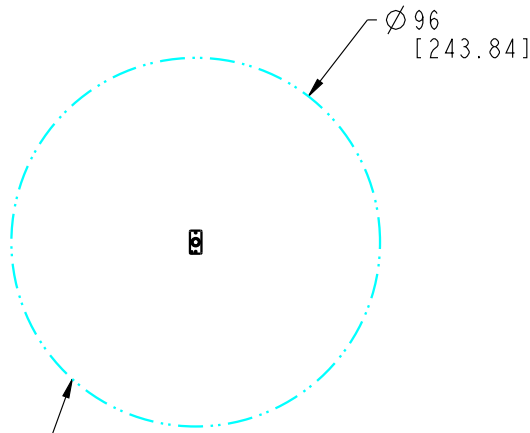
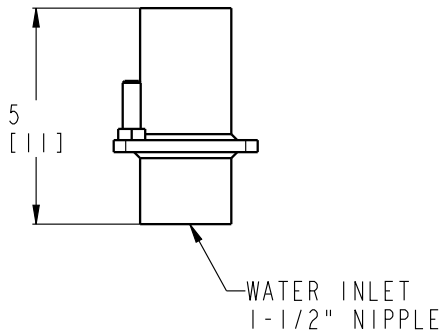
2430 Lucknow Drive, unit 14, Mississauga, ON L5S 1V3, Canada

Toll Free: 1.888.68.NIRBO (64726) | Tel: 1.905.766.4474 | Fax: 1.905.766.4467

Website: www.nirbo.com | Email: info@nirbo.com



FOR FOOTING DETAILS SEE
DRAWING NO: 03008-24



SPRAY ZONE

SCALE 1:50

FLOW (5-10 PSI)	LOW	NORMAL
GPM	5	8

- 1- STRUCTURE: TYPE 304 STAINLESS STEEL
NOZZLE: BRASS WITH TEMPER RESISTANT FEATURES
- 2- FINISH: NO COATING
- 3- PRODUCT INCLUDES:
ANCHOR BOLTS WITH HARDWARE AND FOOTING
TEMPLATE, NOZZLES, WINTER NOZZLE CAPS, SERVICE
TOOLS & TAMPER RESISTANT HARDWARE
- 4- GROUND COMPONENT WITH #6 BARE COPPER WIRE
- 5- PRODUCT COMPLIANCE:
MEETS ADA ACCESSIBILITY GUIDELINES
MEETS CURRENT ASTM F1487 SAFETY STANDARDS

**NIRBO
AQUATIC INC.**

ALL INFORMATION CONTAINED
IN THIS DOCUMENT IS PROPERTY
OF NIRBO AQUATIC INC. AND
MAY NOT BE REPRODUCED OR
COMMUNICATED WITHOUT
PERMISSION IN WRITING FROM
NIRBO AQUATIC INC.

DATE
(yyyy.mm.dd)
2013.11.29

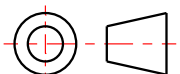
MINI GROUND SPRAY

UNIT
INCH
[CM]

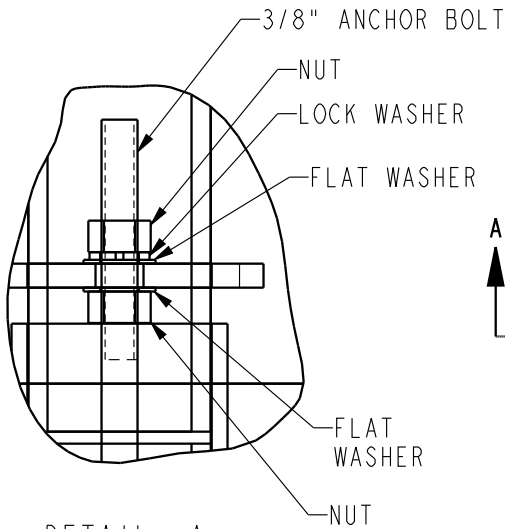
SHEET
1/2

DRAWING NO
03762-01-D15

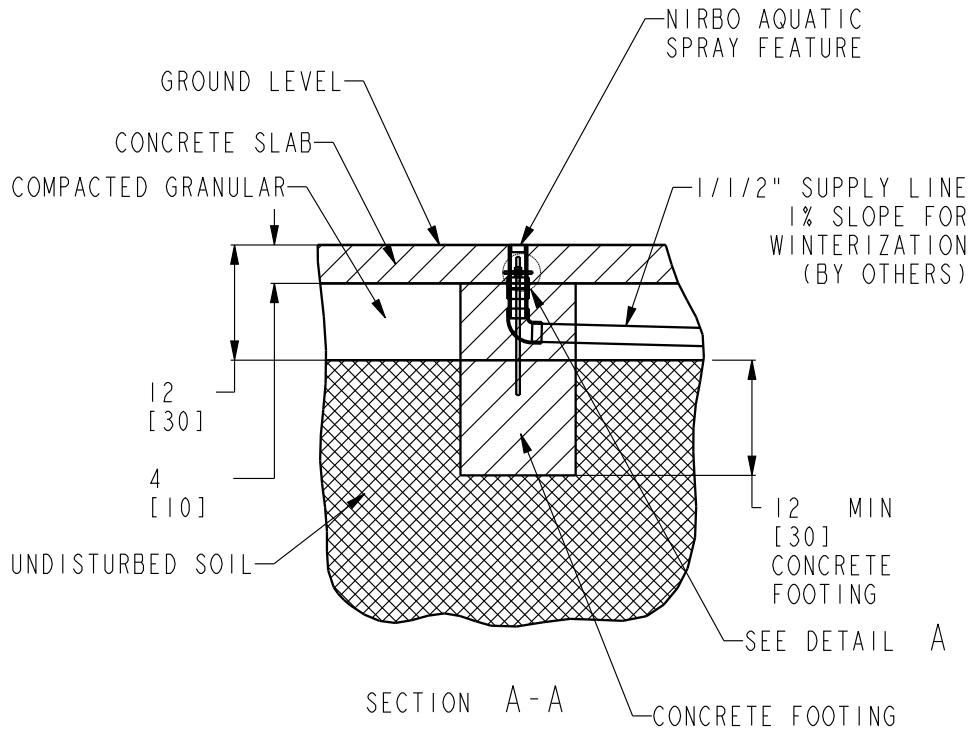
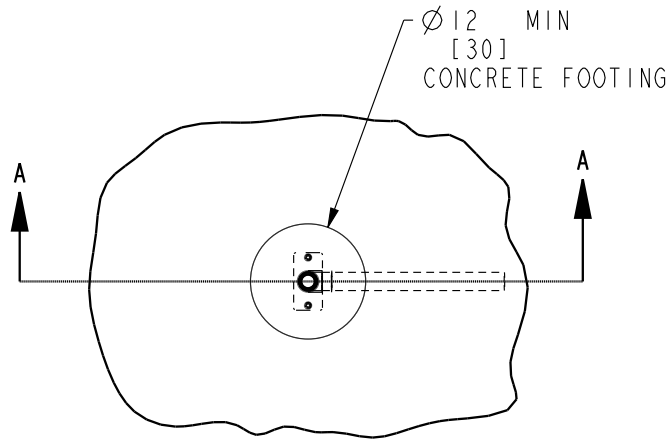
REV
01



Nirbo Aquatic Inc.
 Tel: 1-905-766-4474, Fax: 1-905-766-4467, Web: www.nirbo.com



DETAIL A
 SCALE 1:2



SECTION A-A

NOTES:

- 1- FOLLOW LOCAL CODES, WHEREVER APPLICABLE.
- 2- GRANULAR BASE THICKNESS SHALL MEET LOCAL BUILDING CODE REQUIREMENTS.
- 3- WATER SUPPLY LINE SHALL BE INSTALLED PER LOCAL BUILDING CODES.
- 4- HARDWARE SUPPLIED BY MANUFACTURER SHALL BE USED.

**NIRBO
 AQUATIC INC.**

ALL INFORMATION CONTAINED
 IN THIS DOCUMENT IS PROPERTY
 OF NIRBO AQUATIC INC. AND
 MAY NOT BE REPRODUCED OR
 COMMUNICATED WITHOUT
 PERMISSION IN WRITING FROM
 NIRBO AQUATIC INC.

DATE
 (yyyy.mm.dd)
 2013.10.21

UNIT
 INCH
 [CM]

INSTALLATION, GROUND FEATURE

SHEET
 1 / 1

DRAWING NO
 03008-24

REV
 01

