



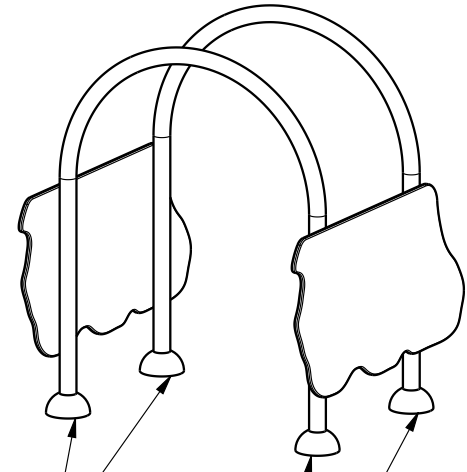
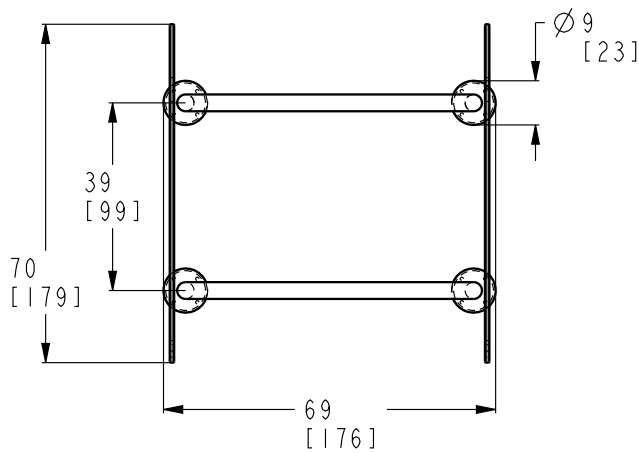
Nirbo water features are made from high quality stainless steel and engineering plastics materials, therefore they are very durable and have excellent fun factor. There are over one hundred different water features to choose from, this product is just a great example. We use brass or stainless steel nozzles which are ideal materials for the application.

### **Combine Harvester** | 03807

| GPM          | Max PSI      | LPM          | Max Bar |
|--------------|--------------|--------------|---------|
| 30           | 10           | 120          | 0.7     |
| Width        | Length       | Height       |         |
| 69" (176 cm) | 70" (179 cm) | 83" (210 cm) |         |

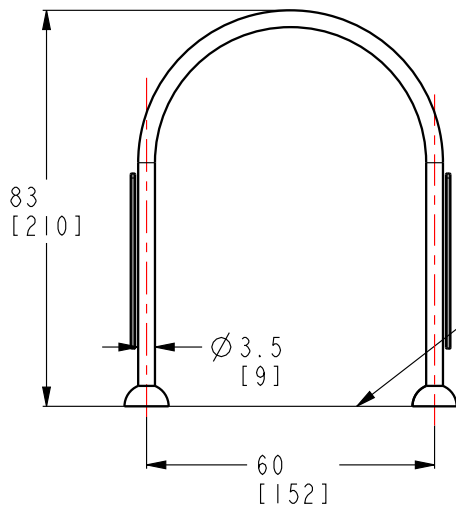
### **Nirbo Aquatic Inc.**

2400 Lucknow Drive, unit 39, Mississauga, ON L5S 1T9, Canada  
Toll Free: 1.888.68.NIRBO (64726) | Tel: 1.905.766.4474 | Fax: 1.905.766.4467  
Website: [www.nirbo.com](http://www.nirbo.com) | Email: [info@nirbo.com](mailto:info@nirbo.com)



FOR FOOTING DETAILS SEE  
DRAWING NO: 03008-33  
THIS LEG ONLY WATER INLET  
TYPICAL, 2 PLACES

USE 1/2" SS DROP-IN  
ANCHORS FOR SURFACE  
MOUNT (BY NIRBO)  
TYPICAL, 2 PLACES

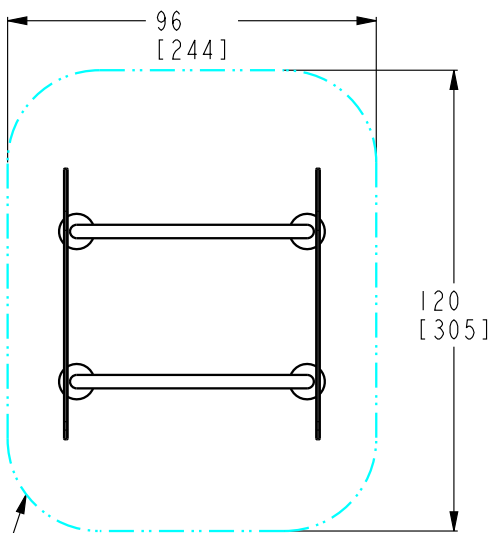


**IMPORTANT:**

FINAL GRADE; SURFACE MUST  
BE FLAT 1/8" [0.3 CM]  
BETWEEN TWO LEGS

| FLOW RATE AT 5 PSI | LOW    | NORMAL  | HIGH    |
|--------------------|--------|---------|---------|
| GPM-[LPM]          | 20[80] | 30[120] | 40[160] |

- 1- STRUCTURE: TYPE 304 STAINLESS STEEL  
NOZZLE: BRASS WITH TAMPER RESISTANT FEATURES
- 2- FINISH: UV RESISTANT POLYESTER POWDER COATING
- 3- PRODUCT INCLUDES:  
ANCHOR BOLTS WITH HARDWARE AND FOOTING TEMPLATE  
SPRAY NOZZLES  
WINTER NOZZLE CAPS  
SERVICE TOOLS  
TAMPER RESISTANT HARDWARE
- 4- BOND COMPONENT WITH #6 BARE COPPER WIRE
- 5- PRODUCT COMPLIANCE:  
MEETS ADA ACCESSIBILITY GUIDELINES  
MEETS CURRENT ASTM F1487 SAFETY STANDARDS



SPRAY  
ZONE

SCALE 1:50

**NIRBO  
AQUATIC INC.**

ALL INFORMATION CONTAINED  
IN THIS DOCUMENT IS PROPERTY  
OF NIRBO AQUATIC INC. AND  
MAY NOT BE REPRODUCED OR  
COMMUNICATED WITHOUT  
PERMISSION IN WRITING FROM  
NIRBO AQUATIC INC.

DATE  
(yyyy.mm.dd)  
2020.08.28

COMBINE HARVESTER  
SURFACE MOUNTED

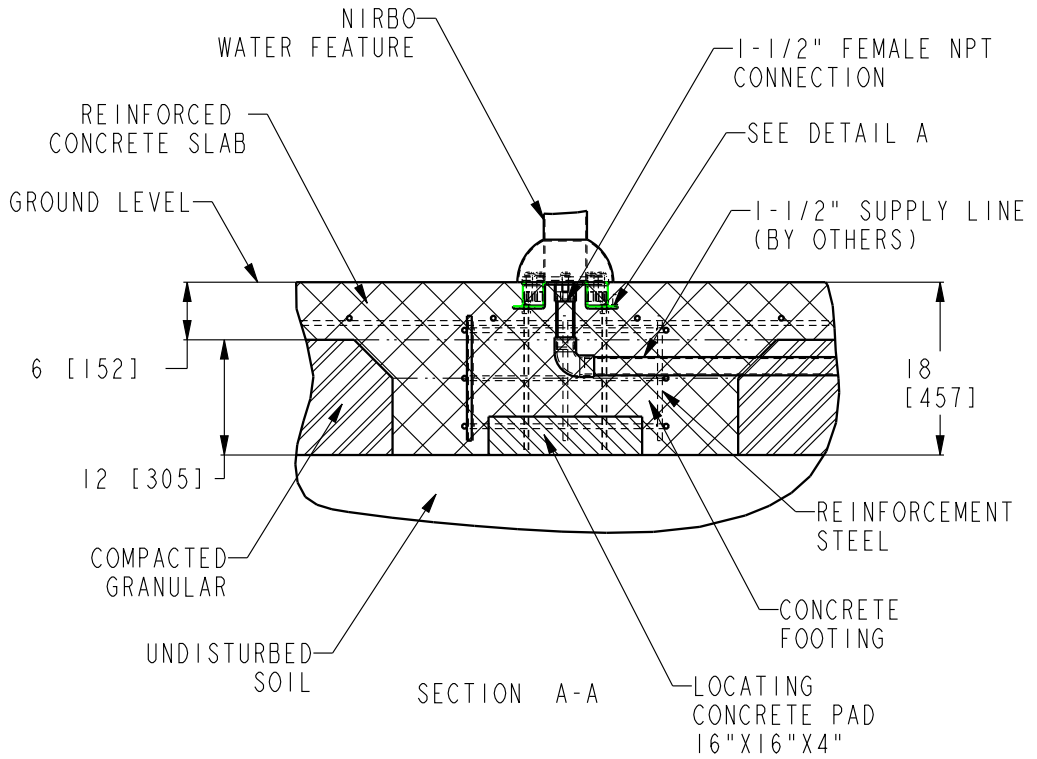
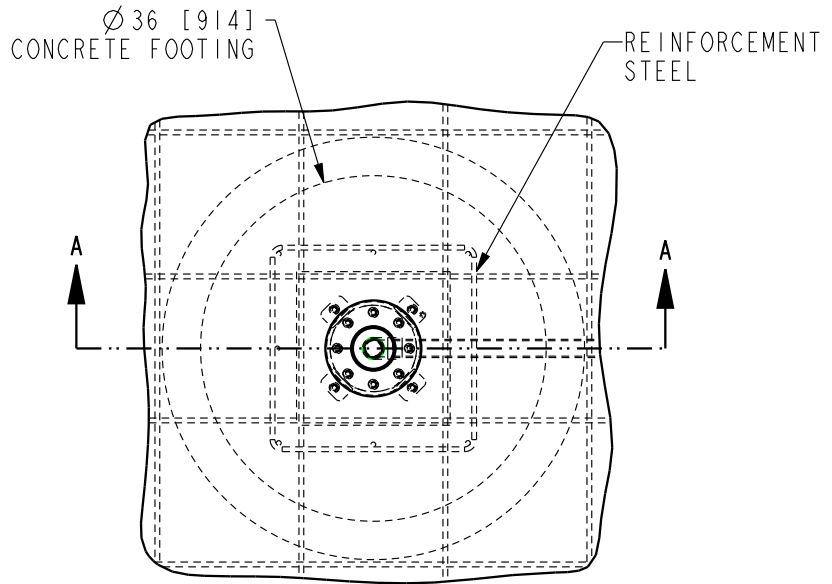
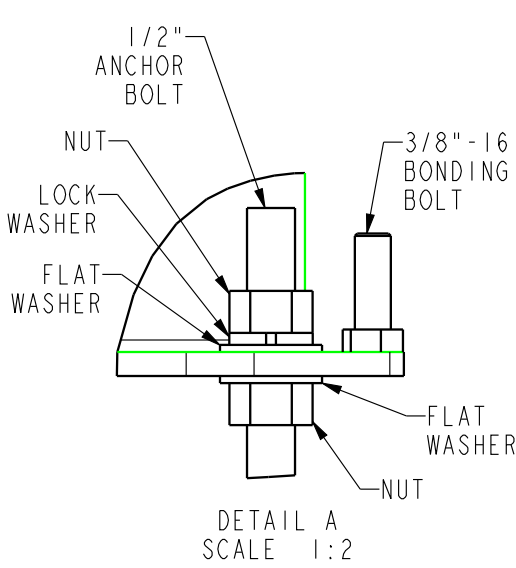
UNIT  
INCH

SHEET  
1/2

DRAWING NO  
03807-02-D15

REV  
01

Nirbo Aquatic Inc.  
 Tel: 1-905-766-4474, Fax: 1-905-766-4467, Web: www.nirbo.com



NOTES:

- 1- FOLLOW LOCAL CODES, WHEREVER APPLICABLE.
- 2- GRANULAR BASE THICKNESS SHALL MEET LOCAL BUILDING CODE REQUIREMENTS.
- 3- WATER SUPPLY LINE SHALL BE INSTALLED PER LOCAL BUILDING CODES.
- 4- HARDWARE SUPPLIED BY MANUFACTURER SHALL BE USED.

|  |                               |  |                                    |  |           |  |
|--|-------------------------------|--|------------------------------------|--|-----------|--|
|  | <b>NIRBO<br/>AQUATIC INC.</b> | ALL INFORMATION CONTAINED<br>IN THIS DOCUMENT IS PROPERTY<br>OF NIRBO AQUATIC INC. AND<br>MAY NOT BE REPRODUCED OR<br>COMMUNICATED WITHOUT<br>PERMISSION IN WRITING FROM<br>NIRBO AQUATIC INC. | DATE<br>(yyyy.mm.dd)<br>2018.10.24 | SURFACE MOUNTED INSTALLATION,<br>3" & 4" PIPES |           |  |
|  |                               | UNIT<br>INCH<br>[mm]   | SHEET<br>1 / 1                     | DRAWING NO<br>03008-33                         | REV<br>01 |  |