



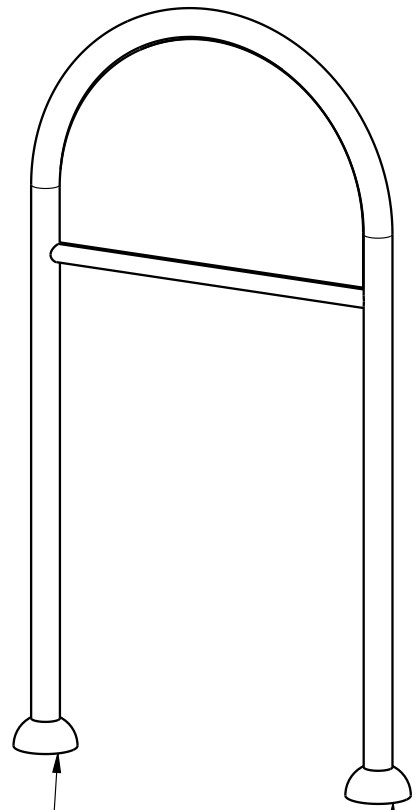
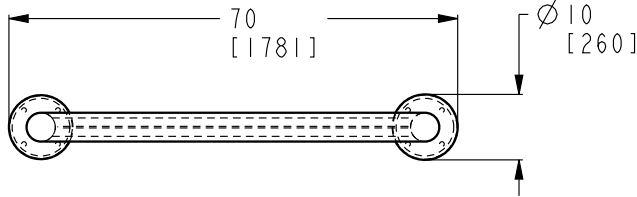
Nirbo water features are made from high quality stainless steel and engineering plastics materials, therefore they are very durable and have excellent fun factor. There are over one hundred different water features to choose from, this product is just a great example. We use brass or stainless steel nozzles which are ideal materials for the application.

### Farm Combo | 03807-04

GPM	Max PSI	LPM	Max Bar
20	10	80	0.7
Width	Length	Height	
10" (26 cm)	70" (178 cm)	123" (312 cm)	

### Nirbo Aquatic Inc.

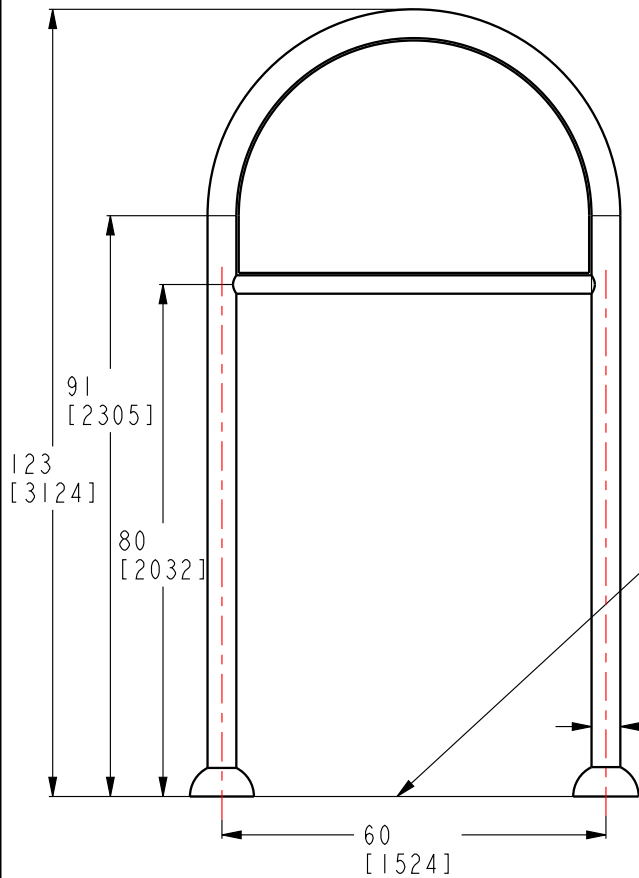
2400 Lucknow Drive, unit 39, Mississauga, ON L5S 1T9, Canada  
Toll Free: 1.888.68.NIRBO (64726) | Tel: 1.905.766.4474 | Fax: 1.905.766.4467  
Website: [www.nirbo.com](http://www.nirbo.com) | Email: [info@nirbo.com](mailto:info@nirbo.com)



FOR FOOTING DETAILS SEE  
DRAWING NO: 03008-33  
THIS LEG ONLY WATER INLET

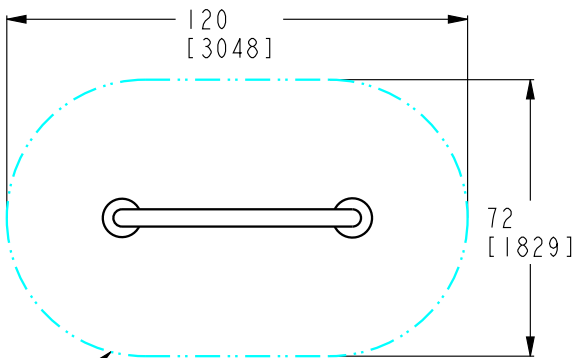
USE 1/2" SS DROP-IN  
ANCHORS FOR SURFACE  
MOUNT (BY NIRBO)

IMPORTANT:  
FINAL GRADE; SURFACE MUST  
BE FLAT 1/8" [0.3 CM]  
BETWEEN TWO LEGS



FLOW (5-10 PSI)	LOW	NORMAL	HIGH
GPM-[LPM]	15[60]	20[80]	30[120]

- 1- STRUCTURE: TYPE 304 STAINLESS STEEL  
NOZZLE: STAINLESS STEEL
- 2- FINISH: UV RESISTANT POLYESTER POWDER COATING
- 3- PRODUCT INCLUDES:  
ANCHOR BOLTS WITH HARDWARE AND FOOTING  
TEMPLATE, NOZZLES, WINTER NOZZLE CAPS, SERVICE  
TOOLS & TAMPER RESISTANT HARDWARE
- 4- BOND COMPONENT WITH #6 BARE COPPER WIRE
- 5- PRODUCT COMPLIANCE:  
MEETS ADA ACCESSIBILITY GUIDELINES  
MEETS CURRENT ASTM F1487 SAFETY STANDARDS



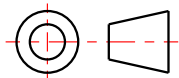
SPRAY ZONE  
SCALE 1:50

**NIRBO  
AQUATIC INC.**

ALL INFORMATION CONTAINED  
IN THIS DOCUMENT IS PROPERTY  
OF NIRBO AQUATIC INC. AND  
MAY NOT BE REPRODUCED OR  
COMMUNICATED WITHOUT  
PERMISSION IN WRITING FROM  
NIRBO AQUATIC INC.

DATE  
(yyyy.mm.dd)  
2019.01.18

FARMER COMBO  
SURFACE MOUNTED



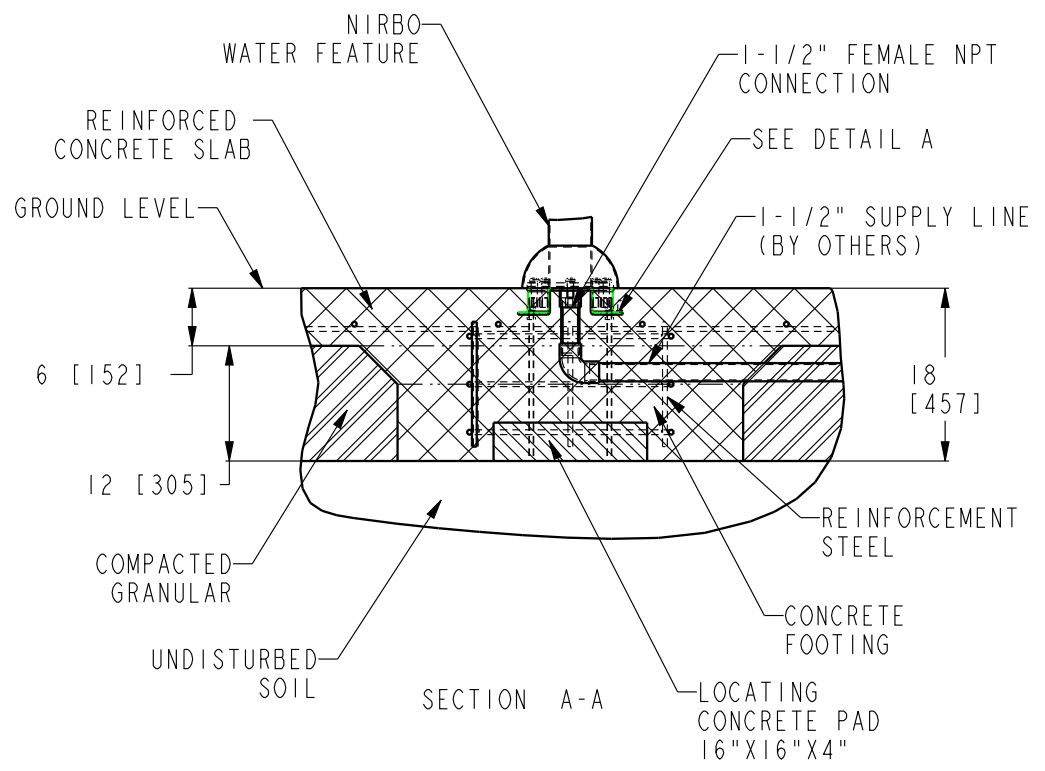
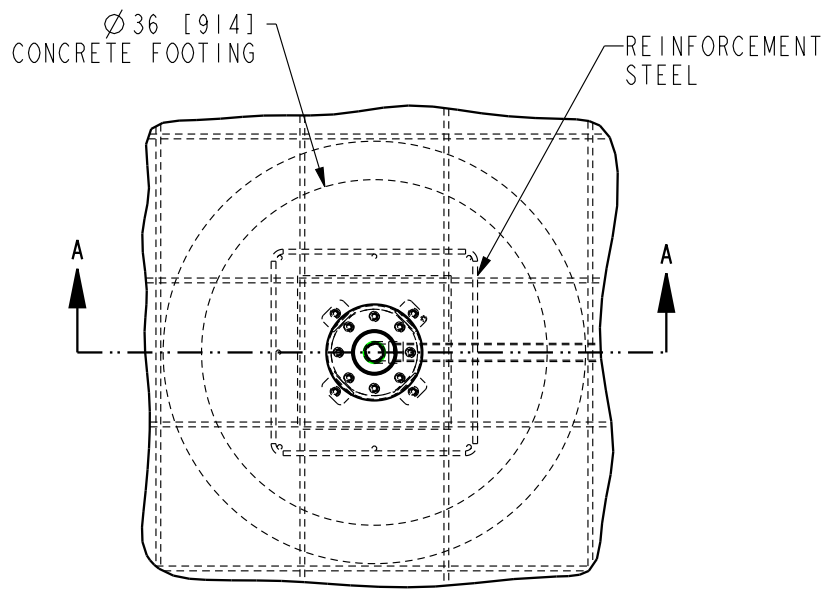
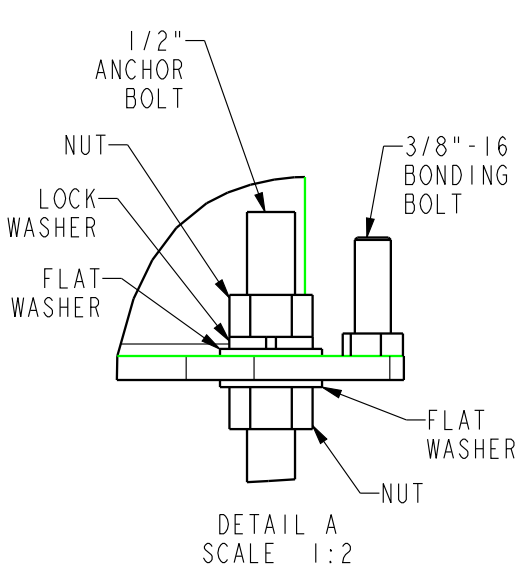
UNIT  
INCH  
[mm]

SHEET  
1/2

DRAWING NO  
03807-04-D15

REV  
01

Nirbo Aquatic Inc.  
Tel: 1-905-766-4474, Fax: 1-905-766-4467, Web: www.nirbo.com



NOTES:

- 1- FOLLOW LOCAL CODES, WHEREVER APPLICABLE.
- 2- GRANULAR BASE THICKNESS SHALL MEET LOCAL BUILDING CODE REQUIREMENTS.
- 3- WATER SUPPLY LINE SHALL BE INSTALLED PER LOCAL BUILDING CODES.
- 4- HARDWARE SUPPLIED BY MANUFACTURER SHALL BE USED.

**NIRBO AQUATIC INC.**

ALL INFORMATION CONTAINED IN THIS DOCUMENT IS PROPERTY OF NIRBO AQUATIC INC. AND MAY NOT BE REPRODUCED OR COMMUNICATED WITHOUT PERMISSION IN WRITING FROM NIRBO AQUATIC INC.

DATE (yyyy.mm.dd)  
2018.10.24  
UNIT  
INCH [mm]

SURFACE MOUNTED INSTALLATION, 3" & 4" PIPES		REV
SHEET	DRAWING NO	REV
1 / 1	03008-33	01