

Spray feature twist all-around with water pressure, creating a mesmerizing water effect.

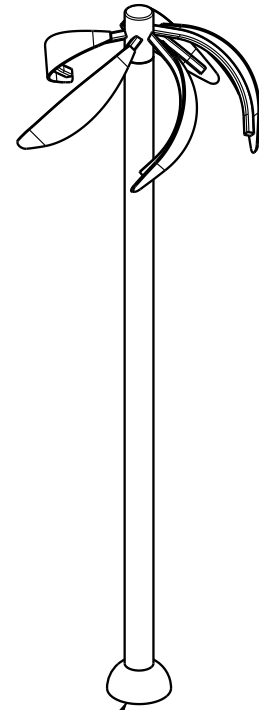
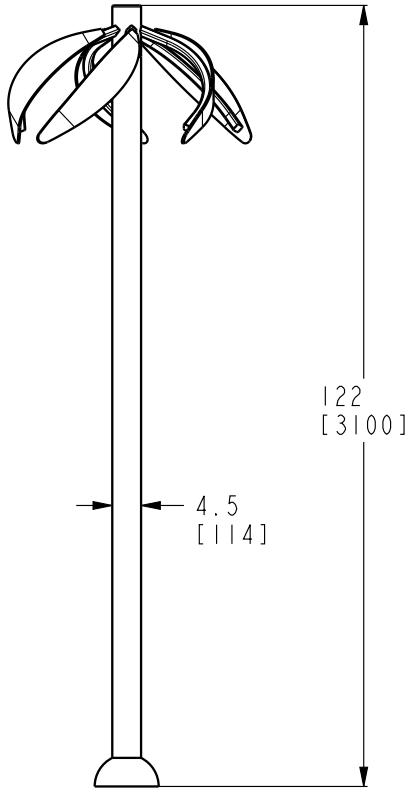
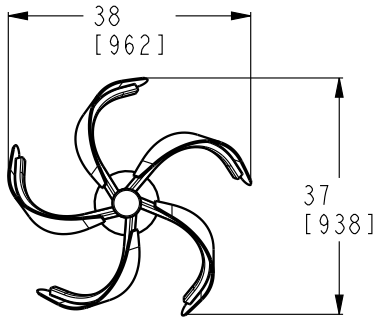
Nirbo water features are made from high quality stainless steel and engineering plastics materials, therefore they are very durable and have excellent fun factor. There are over one hundred different water features to choose from, this product is just a great example. We use brass or stainless steel nozzles which are ideal materials for the application.

**Twist-02 | 03824-02**

GPM	Max PSI	LPM	Max Bar
20	10	80	0.7
Width	Length	Height	
38 (962 mm)	37" (938 mm)	122" ( 3100 mm)	

**Nirbo Aquatic Inc.**

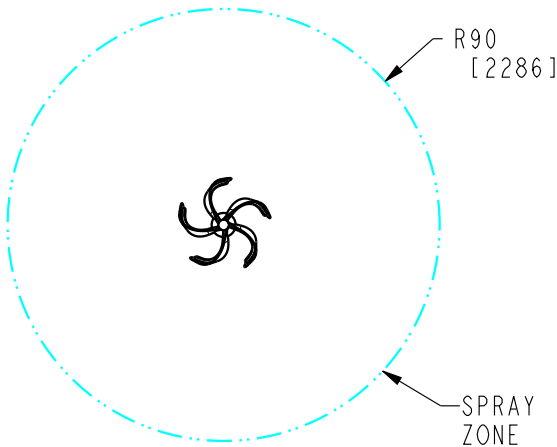
2400 Lucknow Drive, unit 39, Mississauga, ON L5S 1T9, Canada  
 Toll Free: 1.888.68.NIRBO (64726) | Tel: 1.905.766.4474 | Fax: 1.905.766.4467  
 Website: www.nirbo.com | Email: info@nirbo.com



FOR FOOTING DETAILS SEE  
DRAWING NO: 03008-33

FLOW (5-10 PSI)	LOW	NORMAL
GPM	15	20

- 1- DOUBLE AXIS BLASTER, TURNS LEFT/RIGHT AND UP/DOWN.
- 2- STRUCTURE: TYPE 304 STAINLESS STEEL  
NOZZLE: BRASS WITH TEMPER RESISTANT FEATURES  
BEARINGS: TEFLON
- 3- FINISH: UV RESISTANT POLYESTER POWDER COATING
- 4- PRODUCT INCLUDES:  
ANCHOR BOLTS WITH HARDWARE AND FOOTING TEMPLATE  
SPRAY NOZZLES  
WINTER NOZZLE CAPS  
SERVICE TOOLS  
TAMPER RESISTANT HARDWARE
- 5- GROUND COMPONENT WITH #6 BARE COPPER WIRE
- 6- PRODUCT COMPLIANCE:  
MEETS ADA ACCESSIBILITY GUIDELINES  
MEETS CURRENT ASTM F1487 SAFETY STANDARDS

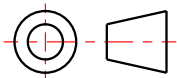


**NIRBO  
AQUATIC INC.**

ALL INFORMATION CONTAINED  
IN THIS DOCUMENT IS PROPERTY  
OF NIRBO AQUATIC INC. AND  
MAY NOT BE REPRODUCED OR  
COMMUNICATED WITHOUT  
PERMISSION IN WRITING FROM  
NIRBO AQUATIC INC.

DATE  
(yyyy.mm.dd)  
2022.09.30

TWIST-02



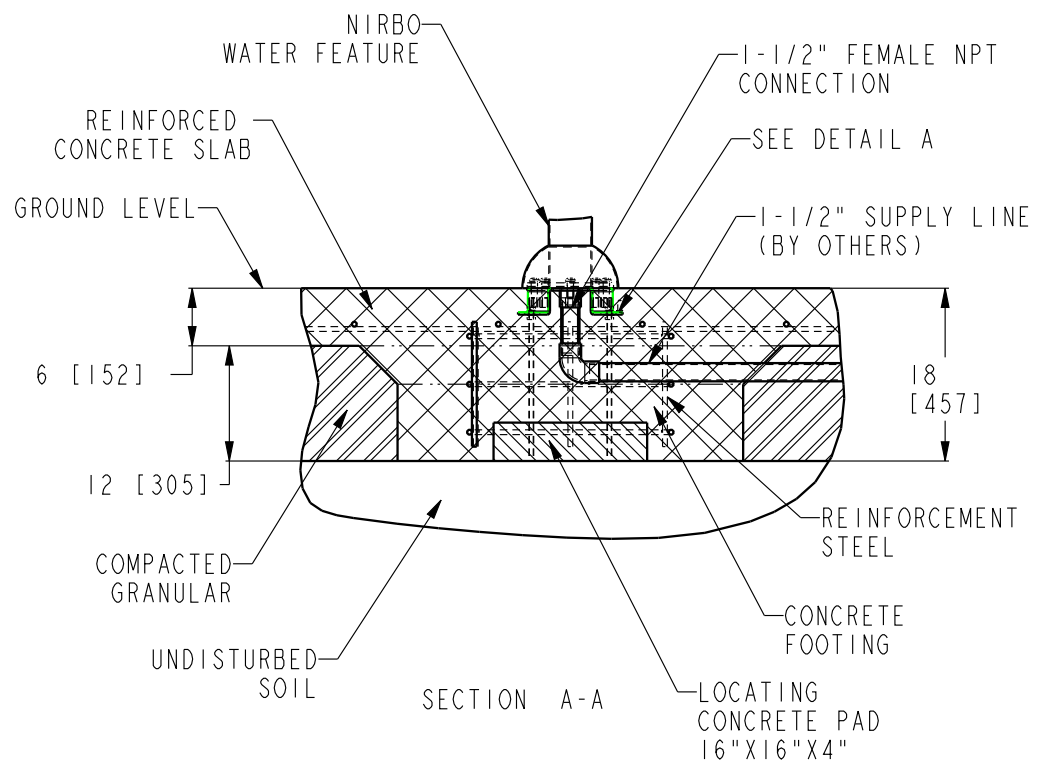
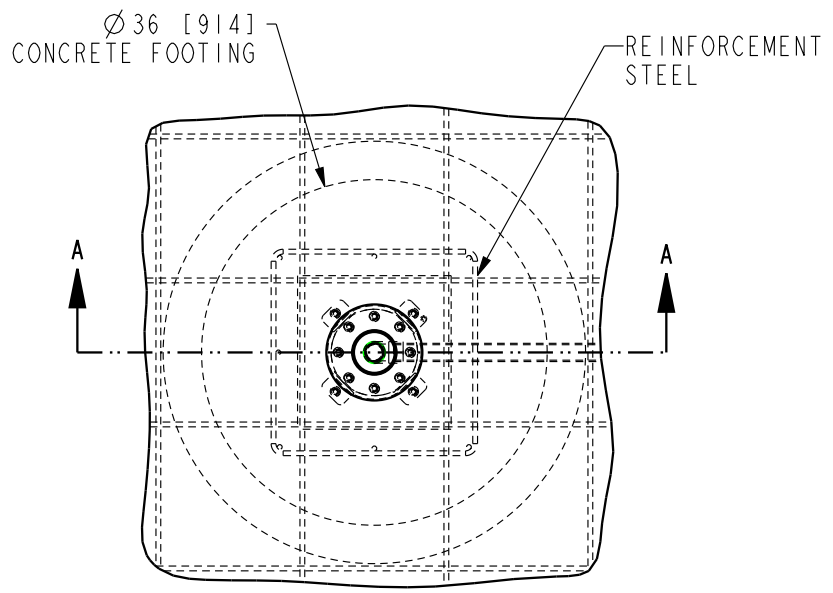
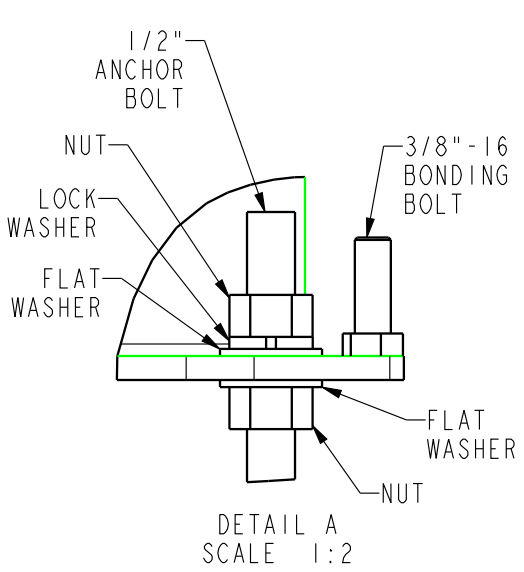
UNIT  
INCH  
[mm]

SHEET  
1 / 2

DRAWING NO  
03824-02-D15

REV  
A

Nirbo Aquatic Inc.  
Tel: 1-905-766-4474, Fax: 1-905-766-4467, Web: www.nirbo.com



NOTES:

- 1- FOLLOW LOCAL CODES, WHEREVER APPLICABLE.
- 2- GRANULAR BASE THICKNESS SHALL MEET LOCAL BUILDING CODE REQUIREMENTS.
- 3- WATER SUPPLY LINE SHALL BE INSTALLED PER LOCAL BUILDING CODES.
- 4- HARDWARE SUPPLIED BY MANUFACTURER SHALL BE USED.

**NIRBO AQUATIC INC.**

ALL INFORMATION CONTAINED IN THIS DOCUMENT IS PROPERTY OF NIRBO AQUATIC INC. AND MAY NOT BE REPRODUCED OR COMMUNICATED WITHOUT PERMISSION IN WRITING FROM NIRBO AQUATIC INC.

DATE (yyyy.mm.dd)  
2018.10.24

UNIT  
INCH [mm]

SURFACE MOUNTED INSTALLATION, 3" & 4" PIPES		REV
SHEET	DRAWING NO	REV
1 / 1	03008-33	01