

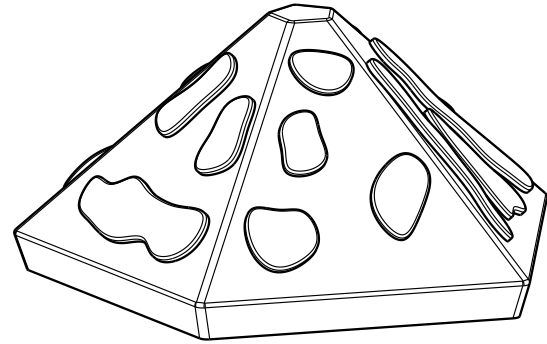
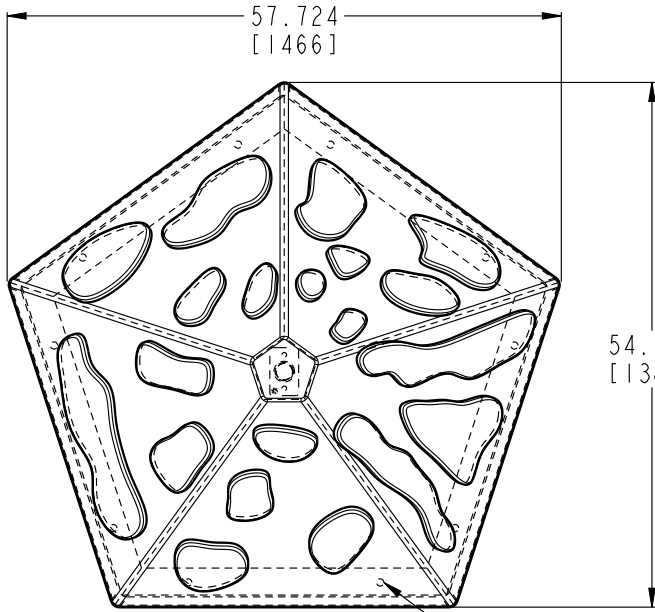
Nirbo water features are made from high quality stainless steel and engineering plastics materials, therefore they are very durable and have excellent fun factor. There are over one hundred different water features to choose from, this product is just a great example. We use brass or stainless steel nozzles which are ideal materials for the application.

Mountain-01 | 03845

| GPM | Max PSI | LPM | Max Bar |
|---------------|---------------|--------------|---------|
| 30 | 10 | 120 | 0.7 |
| Width | Length | Height | |
| 55" (1388 mm) | 58" (1466 mm) | 28" (711 mm) | |

Nirbo Aquatic Inc.

2400 Lucknow Drive, unit 39, Mississauga, ON L5S 1T9, Canada
Toll Free: 1.888.68.NIRBO (64726) | Tel: 1.905.766.4474 | Fax: 1.905.766.4467
Website: www.nirbo.com | Email: info@nirbo.com

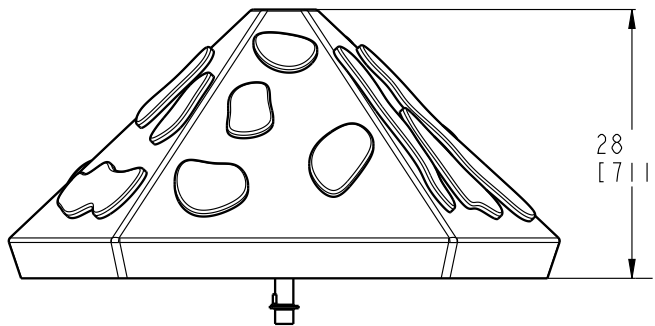


54.656
[1388]

B

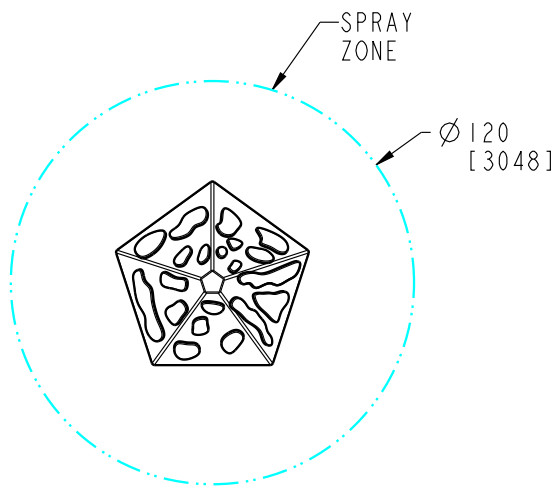
B

USE DROP-IN ANCHORS (BY NIRBO)
TO BOLT IN PLACE



28
[711]

GROUND LEVEL



| FLOW (5-10 PSI) | LOW | NORMAL |
|-----------------|-----|--------|
| GPM | 20 | 30 |

- 1- STRUCTURE: TYPE 304 STAINLESS STEEL
NOZZLE: BRASS WITH TAMPER RESISTANT FEATURES
- 2- FINISH: UV RESISTANT POLYESTER POWDER COATING
- 3- PRODUCT INCLUDES:
ANCHOR BOLTS WITH HARDWARE AND FOOTING TEMPLATE
SPRAY NOZZLES
WINTER NOZZLE CAPS
SERVICE TOOLS
TAMPER RESISTANT HARDWARE
- 4- GROUND COMPONENT WITH #6 BARE COPPER WIRE
- 5- PRODUCT COMPLIANCE:
MEETS ADA ACCESSIBILITY GUIDELINES
MEETS CURRENT ASTM F1487 SAFETY STANDARDS

A

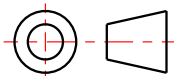
A

NIRBO

ALL INFORMATION CONTAINED
IN THIS DOCUMENT IS PROPERTY
OF NIRBO AND IT MAY NOT BE
REPRODUCED OR COMMUNICATED
WITHOUT PERMISSION IN
WRITING FROM NIRBO.

DATE
(yyyy.mm.dd)
2023.11.03

MOUNTAIN-01



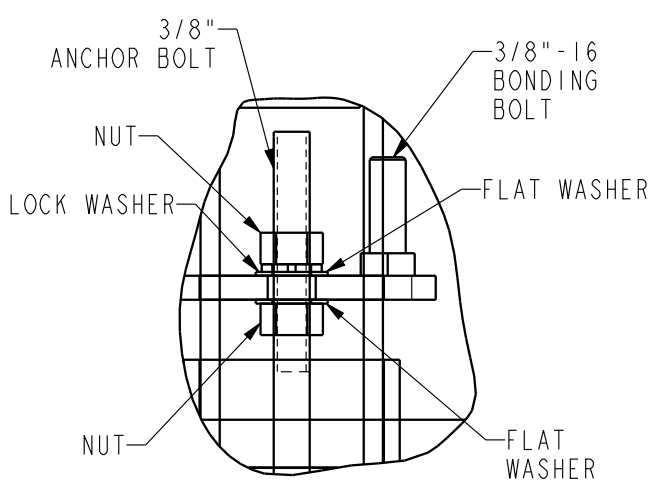
UNIT
INCH
[mm]

SHEET
1 / 2

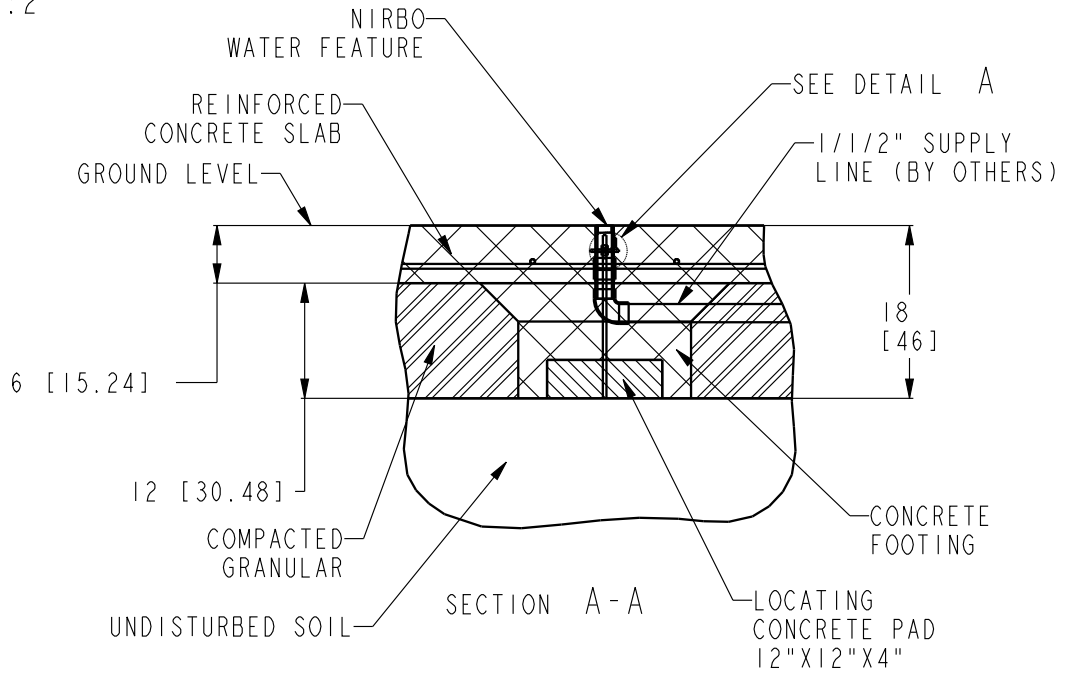
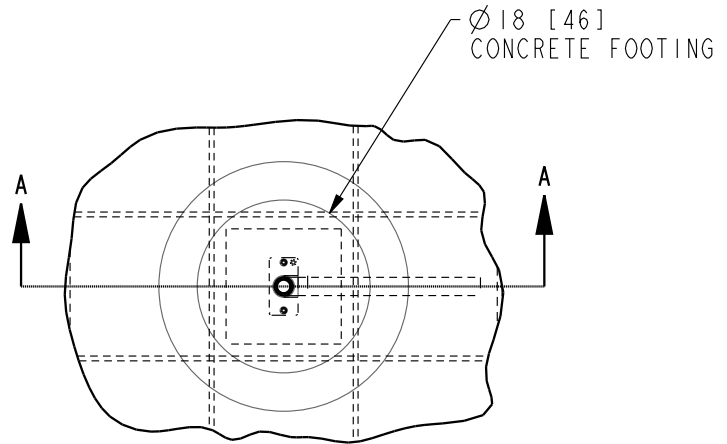
DRAWING NO
03845-01-D15

REV
01

Nirbo Aquatic Inc.
 Tel: 1-905-766-4474, Fax: 1-905-766-4467, Web: www.nirbo.com



DETAIL A
 SCALE 1:2



NOTES:

- 1- FOLLOW LOCAL CODES, WHEREVER APPLICABLE.
- 2- GRANULAR BASE THICKNESS SHALL MEET LOCAL BUILDING CODE REQUIREMENTS.
- 3- SUPPLY LINE SHALL BE INSTALLED PER LOCAL BUILDING CODES.
- 4- HARDWARE SUPPLIED BY MANUFACTURER SHALL BE USED.

| | | | | | |
|--|--|------------------------------------|----------------|------------------------------|-----------|
| NIRBO AQUATIC INC. | ALL INFORMATION CONTAINED IN THIS DOCUMENT IS PROPERTY OF NIRBO AQUATIC INC. AND MAY NOT BE REPRODUCED OR COMMUNICATED WITHOUT PERMISSION IN WRITING FROM NIRBO AQUATIC INC. | DATE (yyyy.mm.dd) 2013.10.21 | | INSTALLATION, GROUND FEATURE | |
| | | UNIT INCH [CM] | SHEET 1 / 1 | DRAWING NO 03008-24 | REV 01 |