



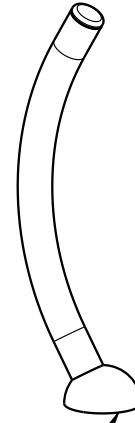
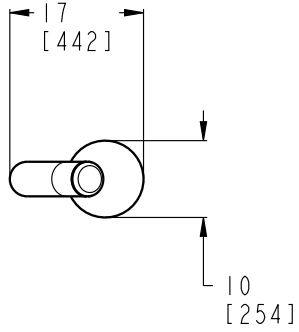
Nirbo water features are made from premium stainless steel and engineered plastics to ensure long-lasting durability and maximum fun. With more than one hundred water feature options available, this model represents just one highlight of our wide-ranging collection. Brass nozzles are used for their reliability and suitability in water applications..

Water Dome-03 | 03883-02

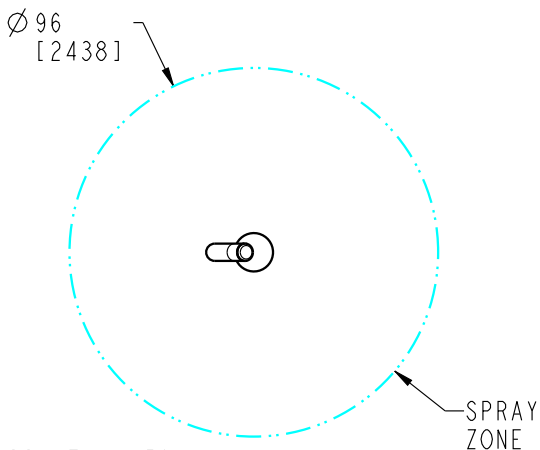
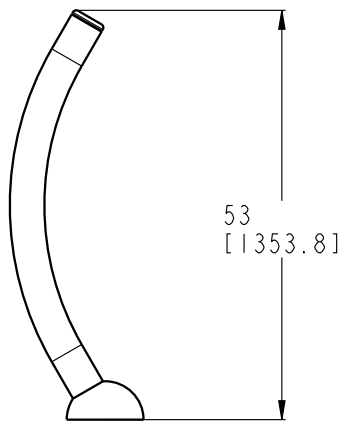
GPM	Max PSI	LPM	Max Bar
15	10	60	0.7
Width	Length	Height	
10" (254 mm)	17" (442 mm)	53" (1354 mm)	

Nirbo Aquatic Inc.

2400 Lucknow Drive, unit 39, Mississauga, ON L5S 1T9, Canada
Toll Free: 1.888.68.NIRBO (64726) | Tel: 1.905.766.4474 | Fax: 1.905.766.4467
Website: www.nirbo.com | Email: info@nirbo.com



FOR FOOTING DETAILS
SEE DRAWING NO: 03008-33



SCALE 1:50

FLOW RATE AT 5 PSI	LOW	NORMAL	HIGH
GPM-[LPM]	12[48]	15[60]	24[96]

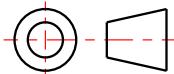
- 1- STRUCTURE: TYPE 304 STAINLESS STEEL
NOZZLE: BRASS WITH TEMPER RESISTANT FEATURES
- 2- FINISH: UV RESISTANT POLYESTER POWDER COATING
- 3- PRODUCT INCLUDES:
ANCHOR BOLTS WITH HARDWARE AND FOOTING TEMPLATE
SPRAY NOZZLES
WINTER NOZZLE CAPS
SERVICE TOOLS
TAMPER RESISTANT HARDWARE
- 4- GROUND COMPONENT WITH #6 BARE COPPER WIRE
- 5- PRODUCT COMPLIANCE:
MEETS ADA ACCESSIBILITY GUIDELINES
MEETS CURRENT ASTM F1487 SAFETY STANDARDS

NIRBO

ALL INFORMATION CONTAINED
IN THIS DOCUMENT IS PROPERTY
OF NIRBO AND IT MAY NOT BE
REPRODUCED OR COMMUNICATED
WITHOUT PERMISSION IN
WRITING FROM NIRBO.

DATE
(yyyy.mm.dd)
2026.01.15

WATER DOME-03



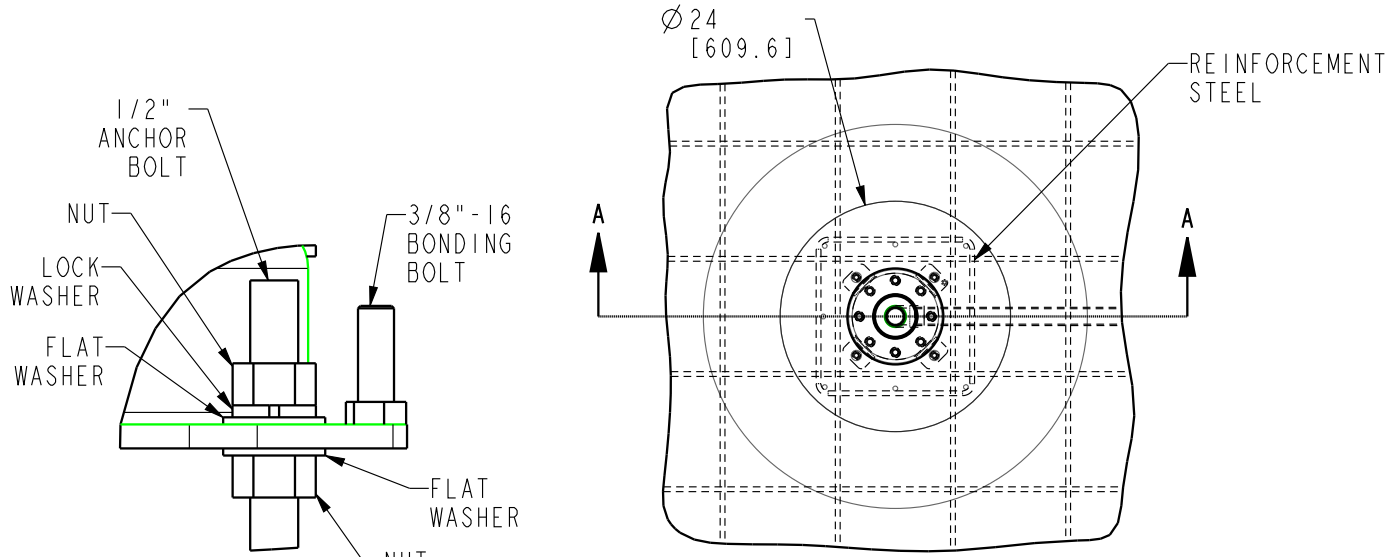
UNIT
INCH
[mm]

SHEET
1 / 2

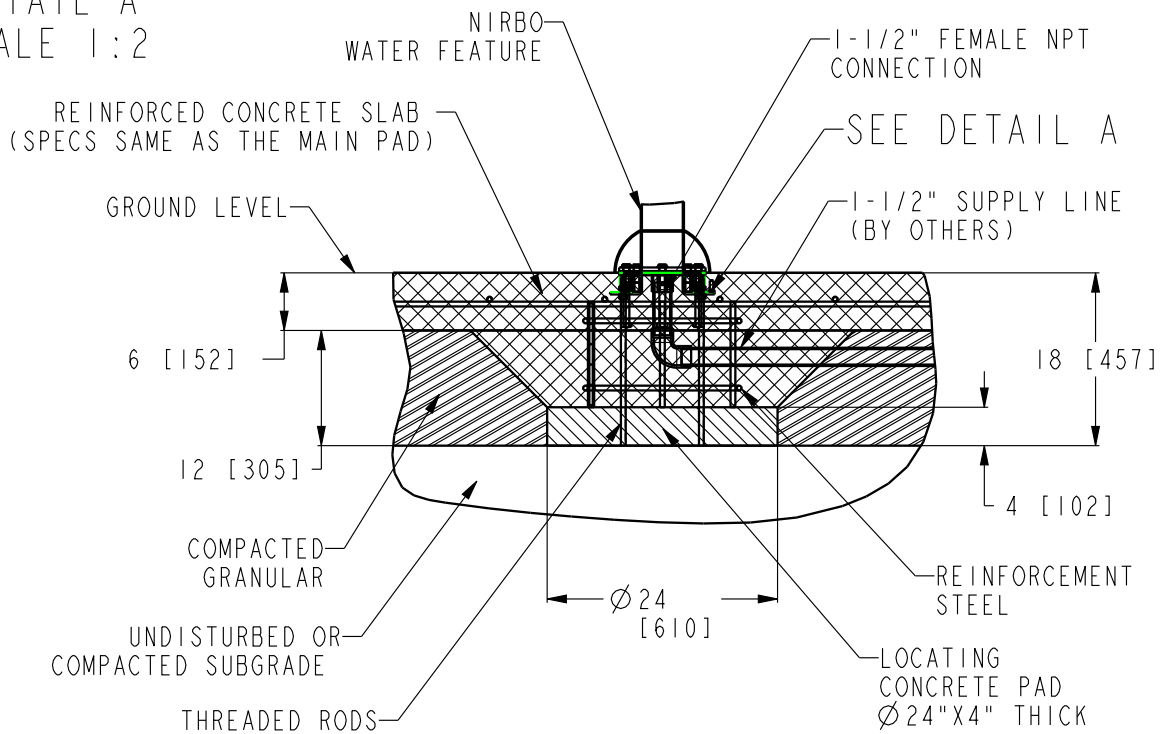
DRAWING NO
03883-02-D15

REV
01

Nirbo Aquatic Inc.
 Tel: 1-905-766-4474, Fax: 1-905-766-4467, Web: www.nirbo.com



DETAIL A
 SCALE 1:2



SECTION A-A

NOTES:

- 1- FOLLOW LOCAL CODES, WHEREVER APPLICABLE.
- 2- GRANULAR BASE THICKNESS SHALL MEET LOCAL BUILDING CODE REQUIREMENTS.
- 3- WATER SUPPLY LINE SHALL BE INSTALLED PER LOCAL BUILDING CODES.
- 4- HARDWARE SUPPLIED BY MANUFACTURER SHALL BE USED.

	NIRBO AQUATIC INC.	ALL INFORMATION CONTAINED IN THIS DOCUMENT IS PROPERTY OF NIRBO AQUATIC INC. AND MAY NOT BE REPRODUCED OR COMMUNICATED WITHOUT PERMISSION IN WRITING FROM NIRBO AQUATIC INC.	DATE (yyyy.mm.dd) 2018.10.24	SURFACE MOUNTED INSTALLATION, 6 " PIPES		
	UNIT INCH [mm]		SHEET 1 / 1	DRAWING NO 03008-33	REV 01	