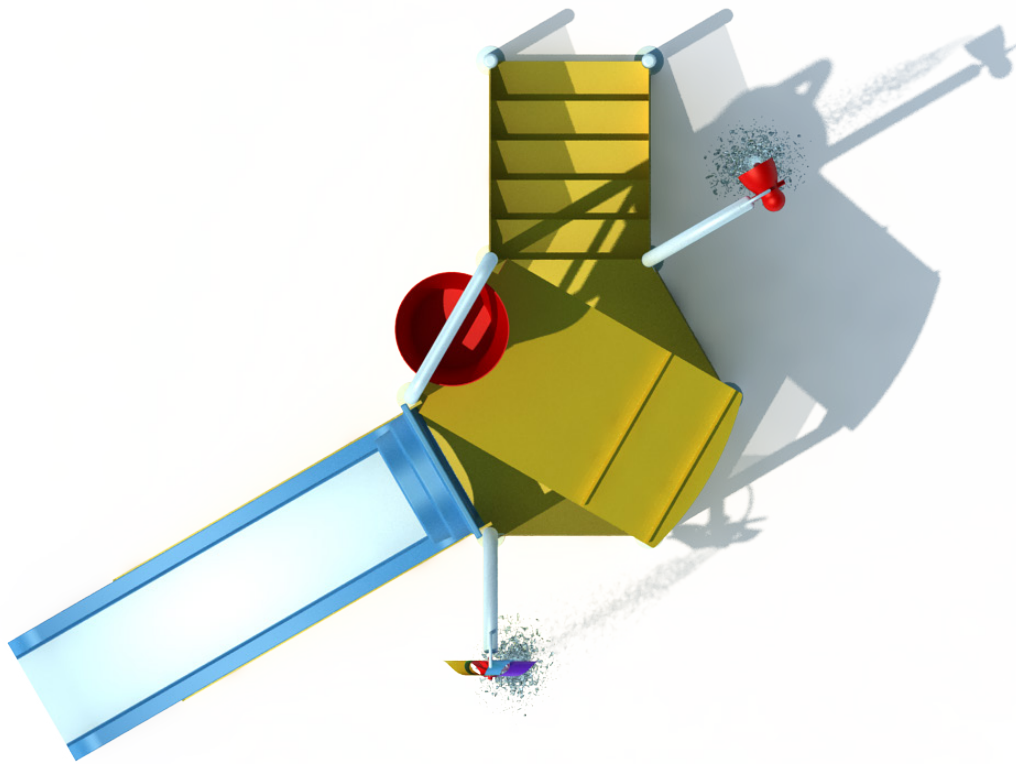




Multi Play Structures are new innovative products designed and manufactured by Nirbo team. These Structures have everything in one package from overhead spray components, tipping buckets, water slides to cannons. The entertainment value is endless as children of all ages explore and experience the excitement of Nirbo's Multi Play Structures.



Multi Play-03 | 19466-03

GPM	PSI	LPM	Bar
80	10	320	0.7

Width	Length	Height
183" (466 cm)	229" (581 cm)	227" (577 cm)

Nirbo Aquatic Inc.

2430 Lucknow Drive, unit 14, Mississauga, ON L5S 1V3, Canada
Toll Free: 1.888.68.NIRBO (64726) | Tel: 1.905.766.4474 | Fax: 1.905.766.4467
Website: www.nirbo.com | Email: info@nirbo.com



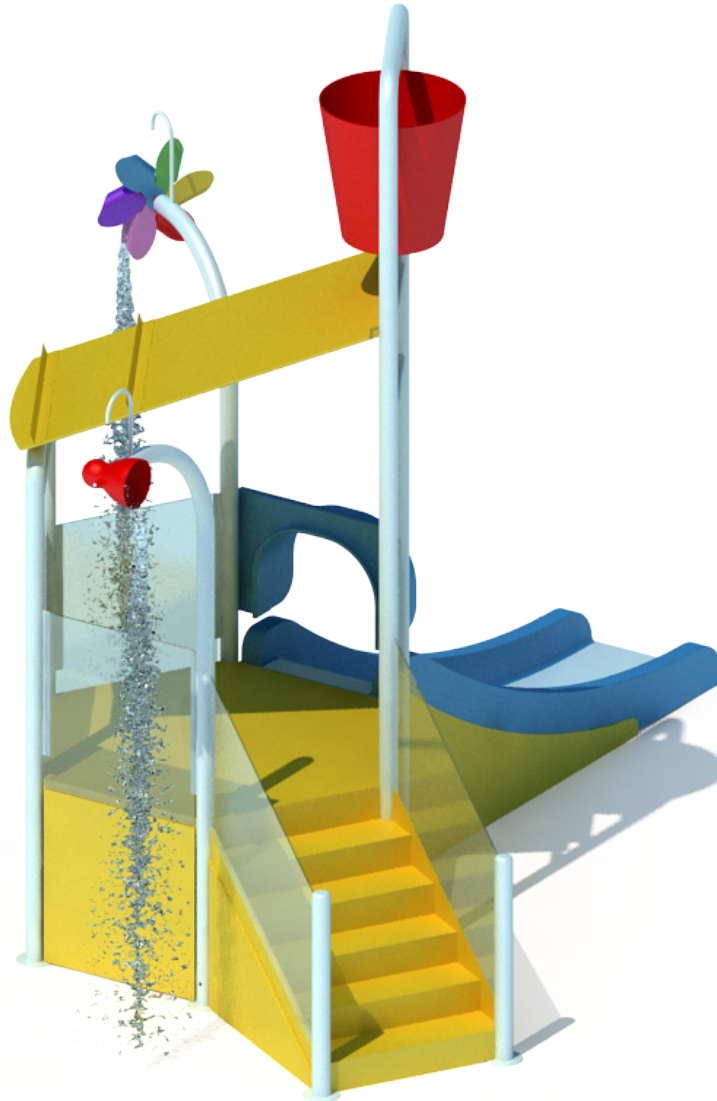
Multi Play-03 | 19466-03

Nirbo Aquatic Inc.

2430 Lucknow Drive, unit 14, Mississauga, ON L5S 1V3, Canada

Toll Free: 1.888.68.NIRBO (64726) | Tel: 1.905.766.4474 | Fax: 1.905.766.4467

Website: www.nirbo.com | Email: info@nirbo.com



Multi Play-03 | 19466-03

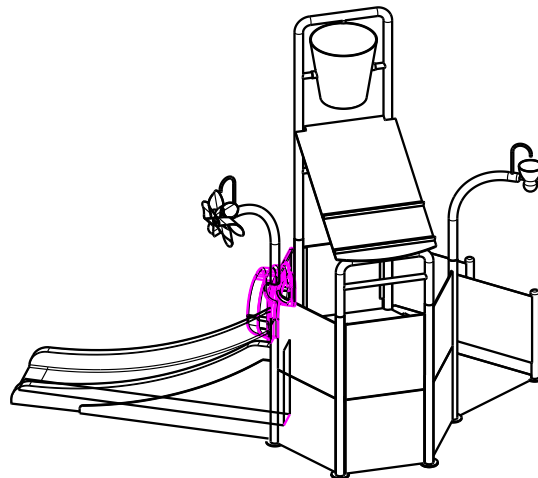
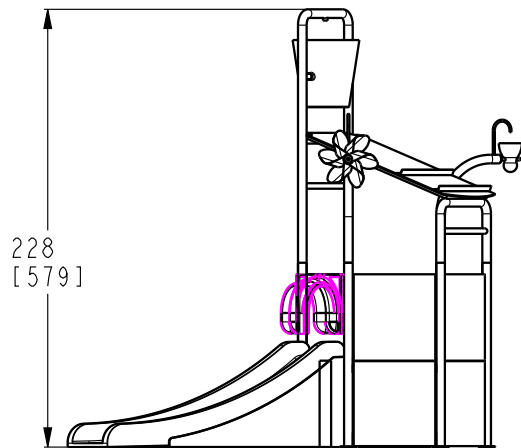
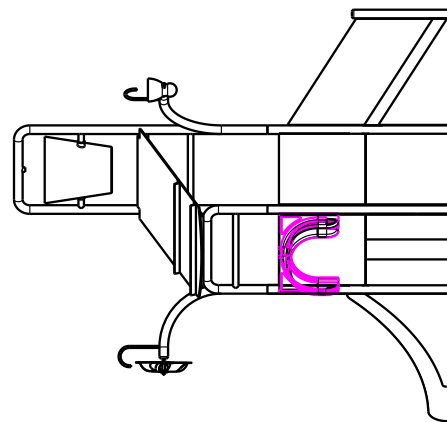
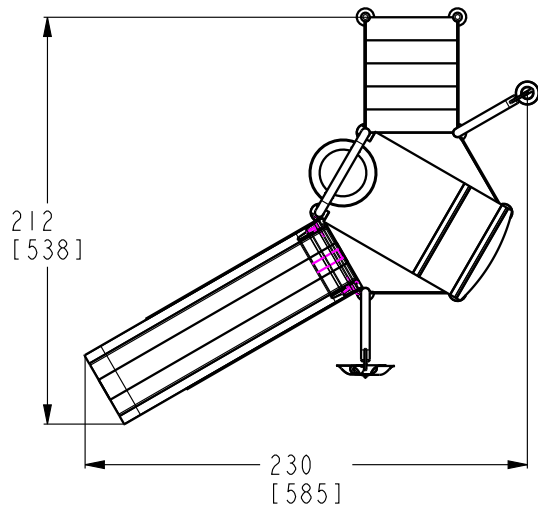
Nirbo Aquatic Inc.

2430 Lucknow Drive, unit 14, Mississauga, ON L5S 1V3, Canada

Toll Free: 1.888.68.NIRBO (64726) | Tel: 1.905.766.4474 | Fax: 1.905.766.4467

Website: www.nirbo.com | Email: info@nirbo.com

B



- 1- STRUCTURE: TYPE 304 STAINLESS STEEL
- NOZZLE: BRASS WITH TEMPER RESISTANT FEATURES
- BEARINGS: BRONZE
- SLIDE: FIBERGLASS
- FLOWER AND BUCKETS: FRP
- BARRIERS: LEXAN

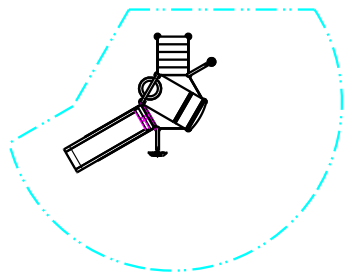
2- FINISH: UV RESISTANT POLYESTER POWDER COATING

- 3- PRODUCT INCLUDES:
- ANCHOR BOLTS WITH HARDWARE AND FOOTING TEMPLATE
- SPRAY NOZZLES
- WINTER NOZZLE CAPS
- SERVICE TOOLS
- TAMPER RESISTANT HARDWARE

4- GROUND COMPONENT WITH #6 BARE COPPER WIRE

B

A



SCALE 1:300

ITEM	QTY	PART NO	DESCRIPTION
1	1	19000-08-D02	MEGA BUCKETSURFACE MOUNTED
2	1	19000-09-D02	STAIRS 48" HIGH
3	1	19000-16-D02	SPINNER
4	1	19000-17-D02	LIQUID BUCKET
5	1	19000-18-D02	CUSTOM SLIDE 48" DECK
6	1	19000-35-D02	SLIDE HOOD
7	1	19466-01-11-D02	MANIFOLD
8	1	19466-03-01-D02	HEX DECK 48" HIGH

A

NIRBO AQUATIC INC.	ALL INFORMATION CONTAINED IN THIS DOCUMENT IS PROPERTY OF NIRBO AQUATIC INC. AND MAY NOT BE REPRODUCED OR COMMUNICATED WITHOUT PERMISSION IN WRITING FROM NIRBO AQUATIC INC.		DATE (yyyy.mm.dd) 2017.01.06		MULTI PLAY CENTER 3	
			UNIT INCH [CM]	SHEET 1/2		