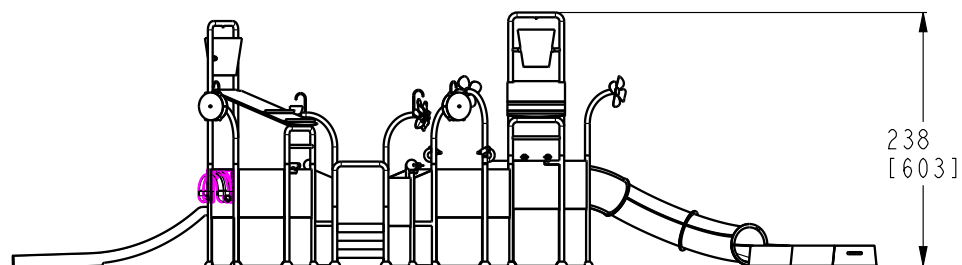
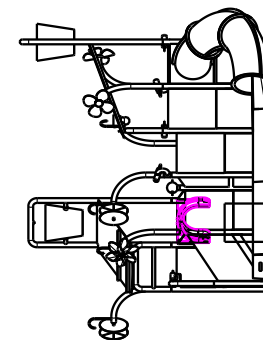
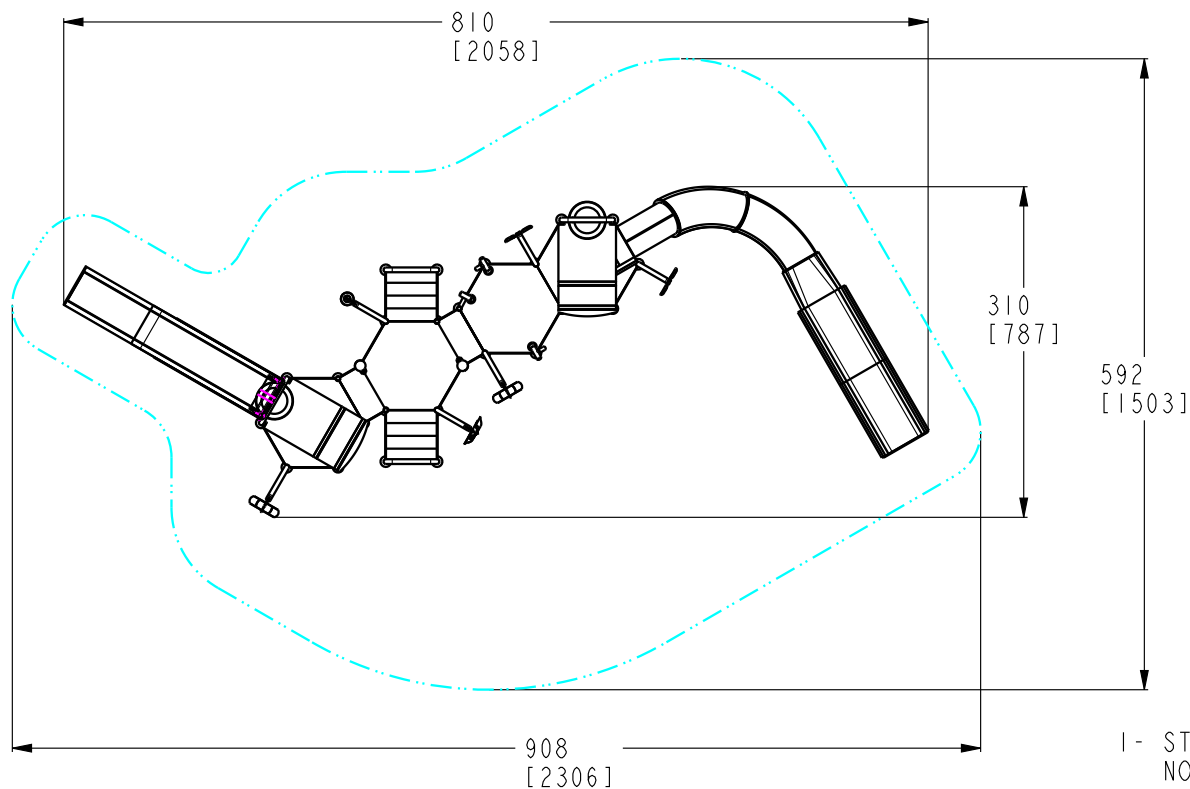


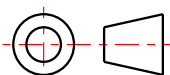
2

1



- 1- STRUCTURE: TYPE 304 STAINLESS STEEL
NOZZLE: BRASS WITH TEMPER RESISTANT FEATURES
BEARINGS: BRONZE
SLIDE: FIBERGLASS
FLOWER AND BUCKETS: FRP
BARRIERS: LEXAN
- 2- FINISH: UV RESISTANT POLYESTER POWDER COATING
- 3- PRODUCT INCLUDES:
ANCHOR BOLTS WITH HARDWARE AND FOOTING TEMPLATE
SPRAY NOZZLES
WINTER NOZZLE CAPS
SERVICE TOOLS
TAMPER RESISTANT HARDWARE
- 4- GROUND COMPONENT WITH #6 BARE COPPER WIRE

**NIRBO
AQUATIC INC.**



ALL INFORMATION CONTAINED
IN THIS DOCUMENT IS PROPERTY
OF NIRBO AQUATIC INC. AND
MAY NOT BE REPRODUCED OR
COMMUNICATED WITHOUT
PERMISSION IN WRITING FROM
NIRBO AQUATIC INC.

DATE
(yyyy.mm.dd)
2017.03.10

UNIT
INCH
[CM]

MULTI PLAY CENTER 14

SHEET
1 / 3

DRAWING NO

19466-14-00-D02

REV
A

2

1

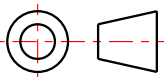
B

B

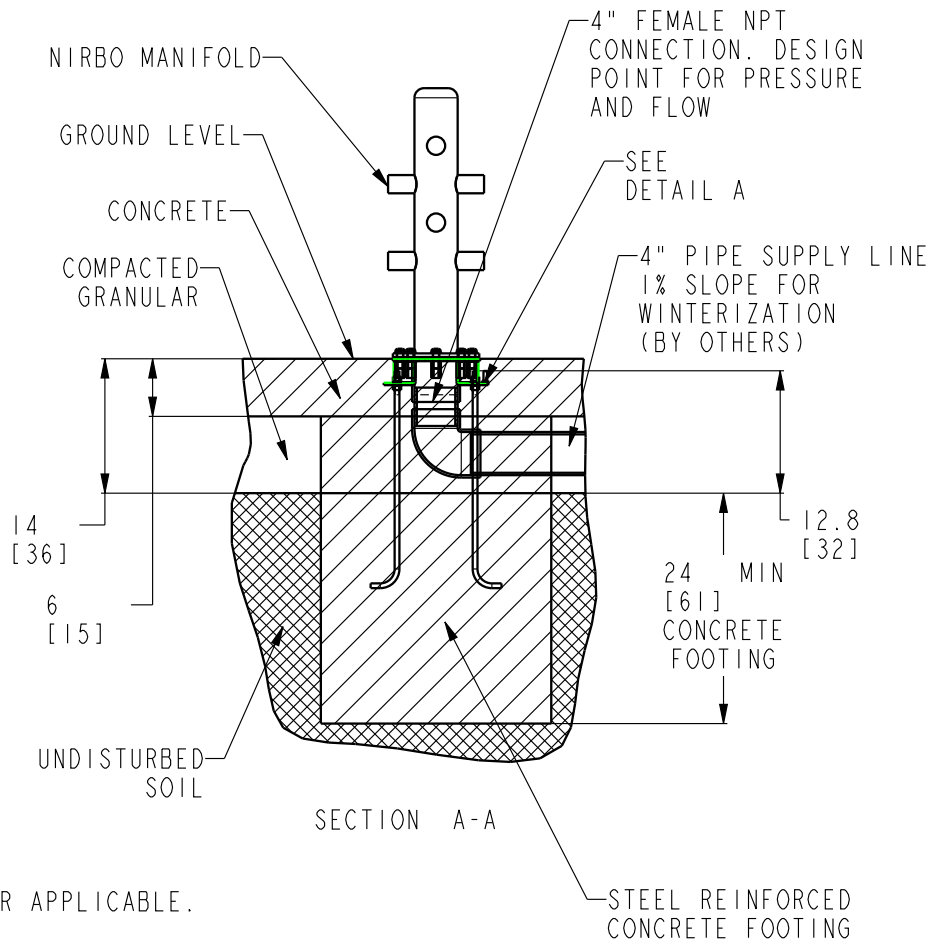
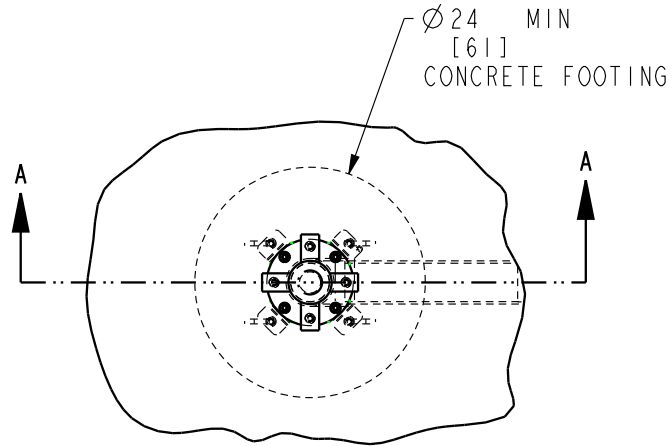
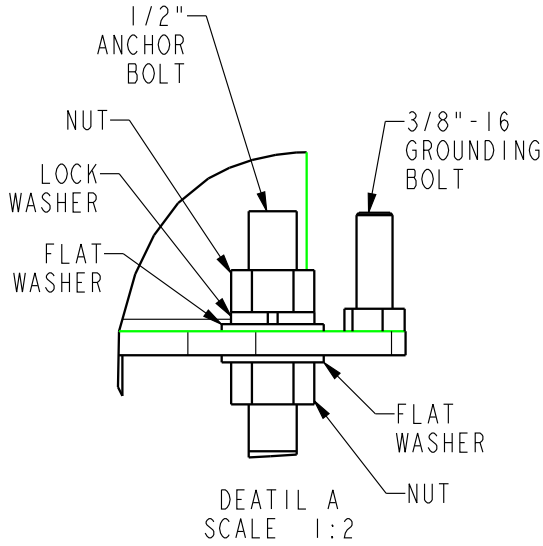
ITEM	QTY	PART NO	DESCRIPTION	FLOW (GPM)	EXTENDED FLOW(GPM)
1	3	03260-06-01-D02	WATER BLASTER RIGHT	15	45
2	1	03260-06-02-D02	WATER BLASTER LEFT	15	15
3	2	03260-07-D02	BLASTER DOUBLE AXIS,	15	30
4	2	03260-08-D02	BALL BLASTER	15	30
5	2	19000-05-D02	SPINNER	20	40
6	1	19000-16-D02	SPINNER	20	20
7	1	19000-17-D02	LIQUID BUCKET	20	20
8	1	19000-35-D02	SLIDE HOOD	40	40
9	2	19000-37-D02	FLOWER	30	60
10	2	19000-48-D02	WATER FALL,	20	40
11	1	19466-14-01-D02	HEX DECK 40" HIGH	0	0
12	1	19466-14-02-D02	HEX DECK 56" HIGH	0	0
13	1	19466-14-03-D02	HEX DECK 48" HIGH	0	0
14	1	19466-14-05-D02	HEX DECK 48" HIGH	0	0
15	2	19466-14-08-D02	MEGA BUCKET	40	80
16	2	19466-14-11-D02	STAIR, TRANSITION	0	0
17	1	19466-14-12-D02	TUBE SLIDE	60	60
18	1	19466-14-18-02-D02	KIDDY SLIDE	40	40
19	2	19466-14-45-D02	STAIRS	0	0
TOTAL FLOW					520

A

A

	NIRBO AQUATIC INC.	ALL INFORMATION CONTAINED IN THIS DOCUMENT IS PROPERTY OF NIRBO AQUATIC INC. AND MAY NOT BE REPRODUCED OR COMMUNICATED WITHOUT PERMISSION IN WRITING FROM NIRBO AQUATIC INC.	DATE (yyyy.mm.dd) 2018.03.04	MULTI PLAY CENTER 14		
	UNIT INCH [CM]		SHEET 2 / 3	DRAWING NO 19466-14-00-D02	REV A	

Nirbo Aquatic Inc.
 Tel: 1-905-766-4474, Fax: 1-905-766-4467, Web: www.nirbo.com



NOTES:

- 1- FOLLOW LOCAL CODES, WHEREVER APPLICABLE.
- 2- GRANULAR BASE THICKNESS SHALL MEET LOCAL BUILDING CODE REQUIREMENTS.
- 3- WATER SUPPLY LINE SHALL BE INSTALLED PER LOCAL BUILDING CODES.
- 4- HARDWARE SUPPLIED BY MANUFACTURER SHALL BE USED.

	<p>NIRBO AQUATIC INC.</p>	<p>ALL INFORMATION CONTAINED IN THIS DOCUMENT IS PROPERTY OF NIRBO AQUATIC INC. AND MAY NOT BE REPRODUCED OR COMMUNICATED WITHOUT PERMISSION IN WRITING FROM NIRBO AQUATIC INC.</p>	<p>DATE (yyyy.mm.dd) 2013.10.21</p>	<p>MULTI PLAY MANIFOLD INSTALATION</p>		
	<p>UNIT INCH [CM]</p>	<p>SHEET 1 / 1</p>	<p>DRAWING NO 03008-18</p>	<p>REV 01</p>		