

### Multi Play-17 | 19466-17-00

GPM	PSI	LPM	Bar
425	10	1700	0.7

Width	Length	Height
363" (9210 mm)	560" (14236 mm)	245" (6210 mm)

### Nirbo Aquatic Inc.

2430 Lucknow Drive, unit 14, Mississauga, ON L5S 1V3, Canada

Toll Free: 1.888.68.NIRBO (64726) | Tel: 1.905.766.4474 | Fax: 1.905.766.4467

Website: [www.nirbo.com](http://www.nirbo.com) | Email: [info@nirbo.com](mailto:info@nirbo.com)



Multi Play-17 | 19466-17

**Nirbo Aquatic Inc.**

2430 Lucknow Drive, unit 14, Mississauga, ON L5S 1V3, Canada

Toll Free: 1.888.68.NIRBO (64726) | Tel: 1.905.766.4474 | Fax: 1.905.766.4467

Website: [www.nirbo.com](http://www.nirbo.com) | Email: [info@nirbo.com](mailto:info@nirbo.com)



Multi Play-17 | 19466-17

**Nirbo Aquatic Inc.**

2430 Lucknow Drive, unit 14, Mississauga, ON L5S 1V3, Canada

Toll Free: 1.888.68.NIRBO (64726) | Tel: 1.905.766.4474 | Fax: 1.905.766.4467

Website: [www.nirbo.com](http://www.nirbo.com) | Email: [info@nirbo.com](mailto:info@nirbo.com)



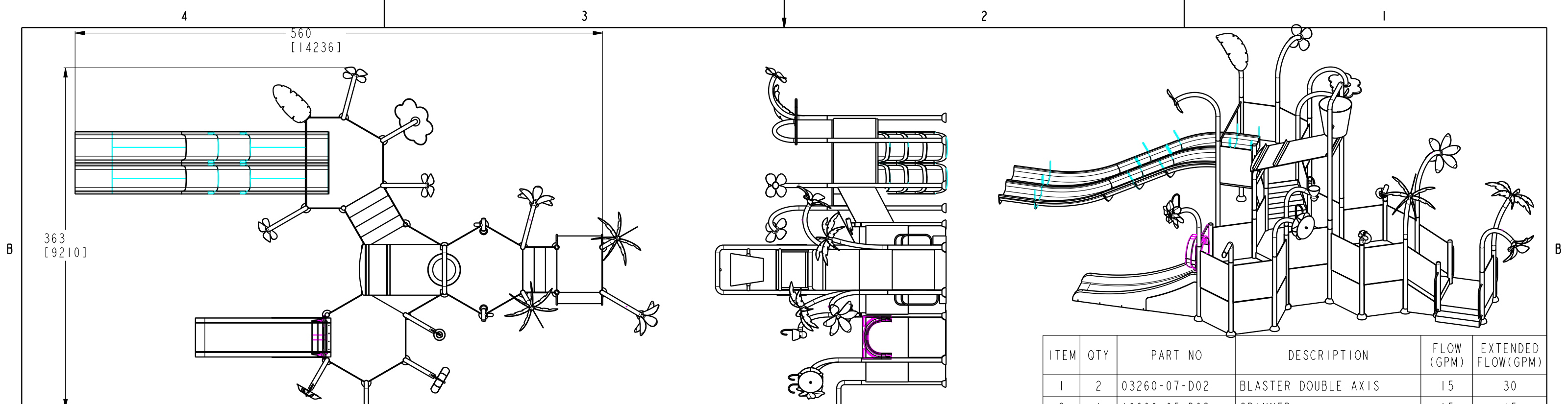
Multi Play-17 | 19466-17

**Nirbo Aquatic Inc.**

2430 Lucknow Drive, unit 14, Mississauga, ON L5S 1V3, Canada

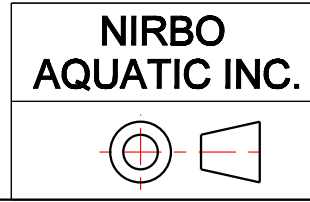
Toll Free: 1.888.68.NIRBO (64726) | Tel: 1.905.766.4474 | Fax: 1.905.766.4467

Website: [www.nirbo.com](http://www.nirbo.com) | Email: [info@nirbo.com](mailto:info@nirbo.com)



ITEM	QTY	PART NO	DESCRIPTION	FLOW (GPM)	EXTENDED FLOW (GPM)
1	2	03260-07-D02	BLASTER DOUBLE AXIS	15	30
2	1	19000-05-D02	SPINNER	15	15
3	1	19000-08-02-D02	MEGA BUCKET	50	50
4	1	19000-16-D02	PIN WHEEL	15	15
5	1	19000-17-D02	LIQUID BUCKET	10	10
6	1	19000-18-01-D02	KIDDIE SLIDE	0	0
7	2	19000-24-01-D02	SINGLE LILLY	20	40
8	2	19000-25-01-D02	PALM TREE	20	40
9	1	19000-35-D02	SLIDE HOOD	0	0
10	3	19000-37-D02	FLOWER	15	45
11	1	19000-38-02-D02	STAIRS	0	0
12	1	19000-41-D02	SPOUT	20	20
13	1	19000-42-01-D02	CLOUD-02	30	30
14	1	19000-45-01-D02	DECK, WHEEL CHAIR	0	0
15	1	19000-51-02	DOUBLE SLIDE	120	120
16	2	19000-52-D02	MANIFOLD	0	0
17	1	19000-54-01-D02	LEAF	10	10
18	1	19466-17-01-D02	HEX DECK	0	0
19	1	19466-17-02-D02	HEX DECK	0	0
20	1	19466-17-03-D02	HEX DECK	0	0
21	1	19466-17-05-D02	DECK	0	0
22	1	19466-17-11-D02	STAIRS	0	0
TOTAL FLOW					425

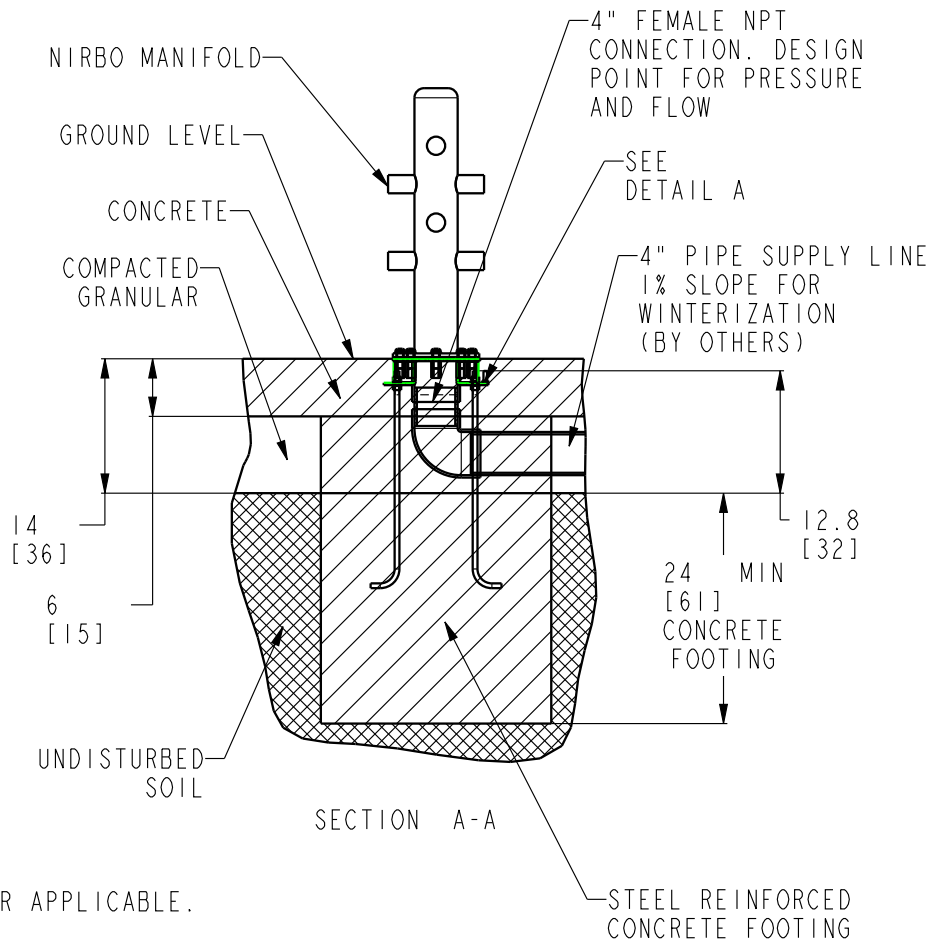
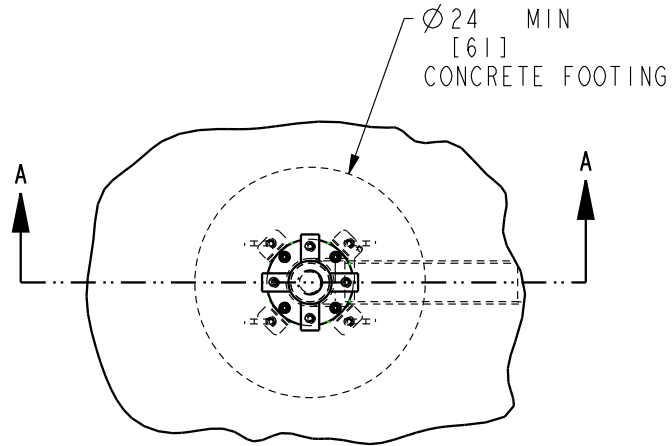
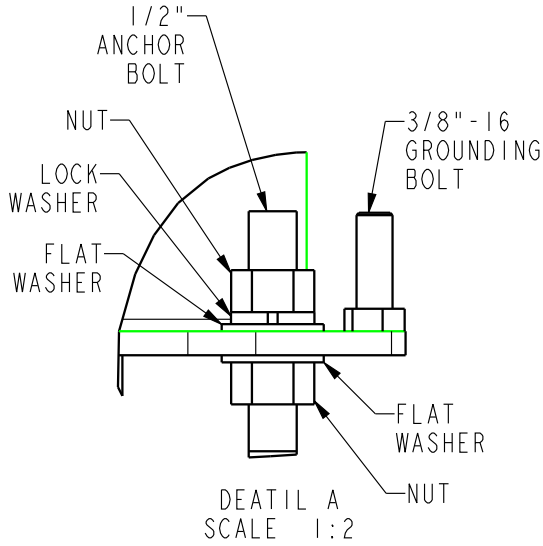
- 1- STRUCTURE: TYPE 304 STAINLESS STEEL  
NOZZLE: BRASS WITH TEMPER RESISTANT FEATURES  
BEARINGS: BRONZE  
SLIDE AND BUCKETS: FIBERGLASS  
FLOWER AND LEAVES: ACRYLIC  
UPPER BARRIERS: LEXAN  
LOVER PANELS: HDPE
- 2- FINISH: UV RESISTANT POLYESTER POWDER COATING
- 3- PRODUCT INCLUDES:  
ANCHOR BOLTS WITH HARDWARE  
SPRAY NOZZLES  
WINTER NOZZLE CAPS  
SERVICE TOOLS  
TAMPER RESISTANT HARDWARE
- 4- BOND COMPONENT PER LOCAL CODES



ALL INFORMATION CONTAINED IN THIS DOCUMENT IS PROPERTY OF NIRBO AQUATIC INC. AND MAY NOT BE REPRODUCED OR COMMUNICATED WITHOUT PERMISSION IN WRITING FROM NIRBO AQUATIC INC.

DATE (yyyy.mm.dd)	MULTI PLAY CENTER 17		
2019.02.11	UNIT	SHEET	DRAWING NO
	INCH [MM]	1/2	19466-17-00-D02
			REV
			A

Nirbo Aquatic Inc.  
Tel: 1-905-766-4474, Fax: 1-905-766-4467, Web: www.nirbo.com



NOTES:

- 1- FOLLOW LOCAL CODES, WHEREVER APPLICABLE.
- 2- GRANULAR BASE THICKNESS SHALL MEET LOCAL BUILDING CODE REQUIREMENTS.
- 3- WATER SUPPLY LINE SHALL BE INSTALLED PER LOCAL BUILDING CODES.
- 4- HARDWARE SUPPLIED BY MANUFACTURER SHALL BE USED.

**NIRBO AQUATIC INC.**

ALL INFORMATION CONTAINED IN THIS DOCUMENT IS PROPERTY OF NIRBO AQUATIC INC. AND MAY NOT BE REPRODUCED OR COMMUNICATED WITHOUT PERMISSION IN WRITING FROM NIRBO AQUATIC INC.

DATE (yyyy.mm.dd)  
2013.10.21

UNIT  
INCH [CM]

MULTI PLAY MANIFOLD INSTALATION			
UNIT	SHEET	DRAWING NO	REV
INCH [CM]	1 / 1	03008-18	01