

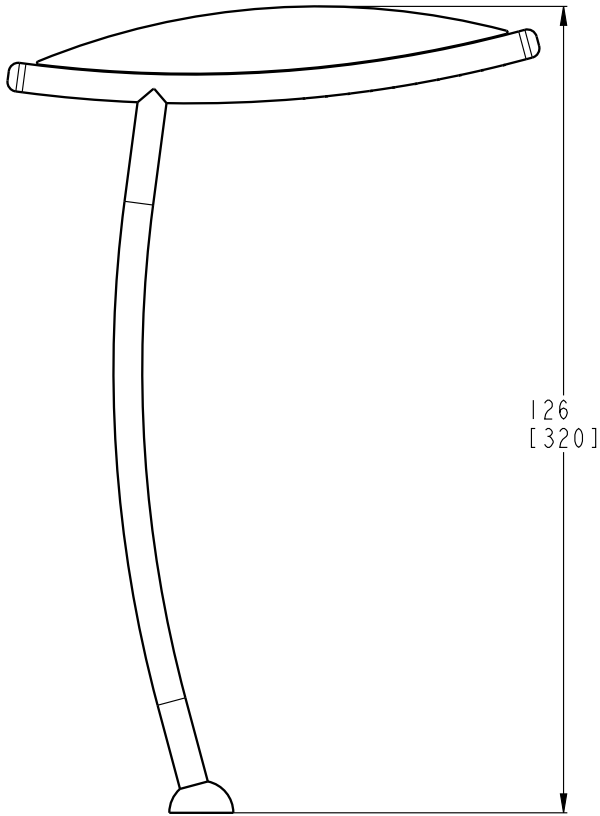
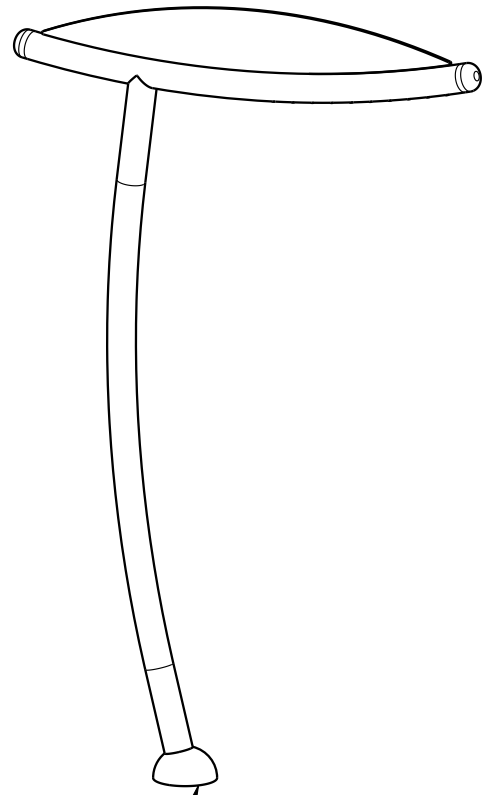
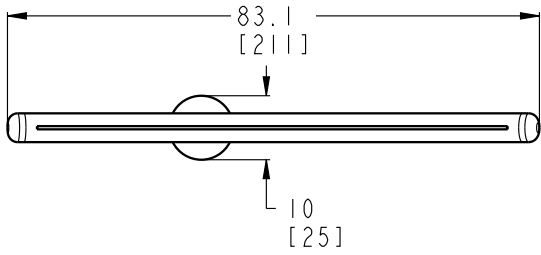
Nirbo water features are made from high quality stainless steel and engineering plastics materials, therefore they are very durable and have excellent fun factor. There are over one hundred different water features to choose from, this product is just a great example. We use brass or stainless steel nozzles which are ideal materials for the application.

Curve-02 | 03884-02

GPM	Max PSI	LPM	Max Bar
8	10	40	0.7
Width	Length	Height	
10" (25 cm)	83.1" (211 cm)	126" (320 cm)	

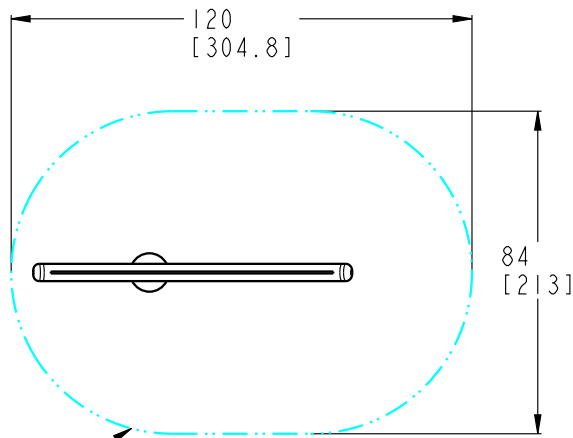
Nirbo Aquatic Inc.

2400 Lucknow Drive, unit 39, Mississauga, ON L5S 1T9, Canada
Toll Free: 1.888.68.NIRBO (64726) | Tel: 1.905.766.4474 | Fax: 1.905.766.4467
Website: www.nirbo.com | Email: info@nirbo.com



FOR FOOTING DETAILS
SEE DRAWING NO: 03008-33

FLOW (5-10 PSI)	LOW	NORMAL
GPM [LPM]	5 [20]	8 [32]



SPRAY
ZONE

SCALE 1:50

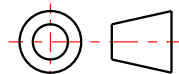
- 1- STRUCTURE: TYPE 304 STAINLESS STEEL
NOZZLE: BRASS WITH TEMPER RESISTANT FEATURES
- 2- FINISH: UV RESISTANT POLYESTER POWDER COATING
- 3- PRODUCT INCLUDES:
ANCHOR BOLTS WITH HARDWARE AND FOOTING TEMPLATE
SPRAY NOZZLES
WINTER NOZZLE CAPS
SERVICE TOOLS
TAMPER RESISTANT HARDWARE
- 4- GROUND COMPONENT WITH #6 BARE COPPER WIRE
- 5- PRODUCT COMPLIANCE:
MEETS ADA ACCESSIBILITY GUIDELINES
MEETS CURRENT ASTM F1487 SAFETY STANDARDS

NIRBO

ALL INFORMATION CONTAINED
IN THIS DOCUMENT IS PROPERTY
OF NIRBO AND IT MAY NOT BE
REPRODUCED OR COMMUNICATED
WITHOUT PERMISSION IN
WRITING FROM NIRBO.

DATE
(yyyy.mm.dd)
2026.01.15

CURVE-02



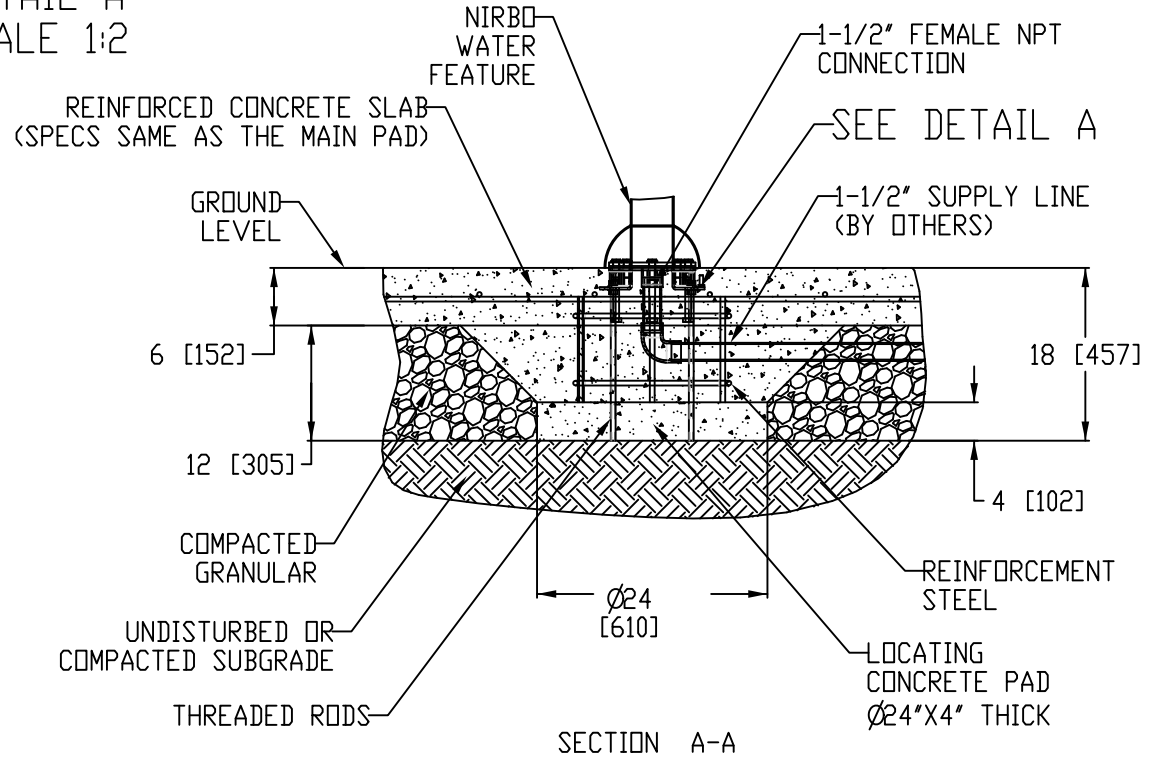
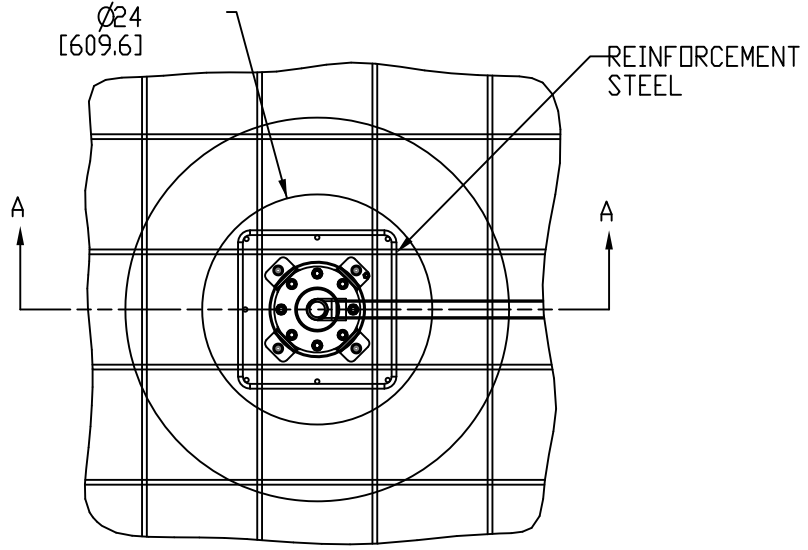
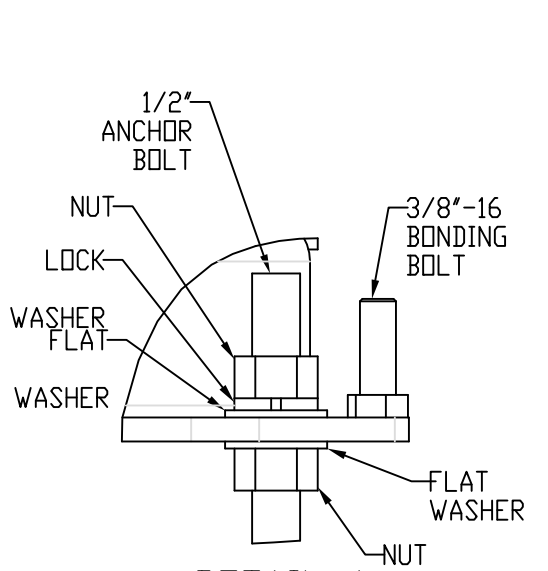
UNIT
INCH
[mm]

SHEET
1/2

DRAWING NO
03884-02-D15

REV
01

Nirbo Aquatic Inc.
 Tel: 1-905-766-4474, Fax: 1-905-766-4467, Web: www.nirbo.com



- NOTES:
- 1- FOLLOW LOCAL CODES, WHEREVER APPLICABLE.
 - 2- GRANULAR BASE THICKNESS SHALL MEET LOCAL BUILDING CODE REQUIREMENTS.
 - 3- WATER SUPPLY LINE SHALL BE INSTALLED PER LOCAL BUILDING CODES.
 - 4- HARDWARE SUPPLIED BY MANUFACTURER SHALL BE USED.

NIRBO AQUATIC INC. 	ALL INFORMATION CONTAINED IN THIS DOCUMENT IS PROPERTY OF NIRBO AQUATIC INC. AND MAY NOT BE REPRODUCED OR COMMUNICATED WITHOUT PERMISSION IN WRITING FROM NIRBO AQUATIC INC.	DATE (yyyy.mm.dd) 2018.10.24	SURFACE MOUNTED INSTALLATION 4" PIPE FLANGE, CLASS 150#	
	UNIT INCH [mm]	SHEET 1/1	DRAWING NO 03008-33	REV 01