

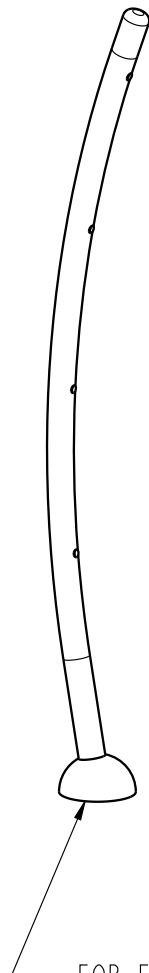
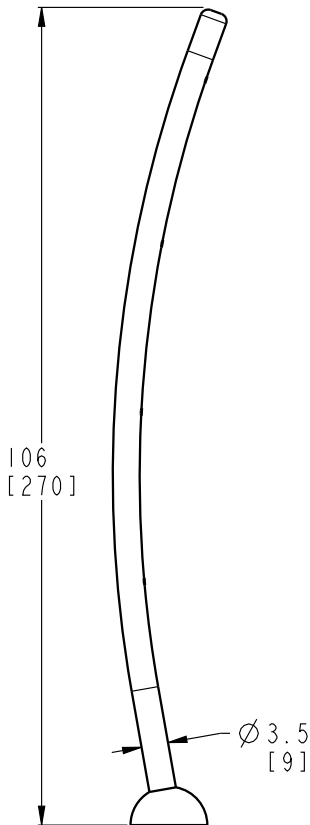
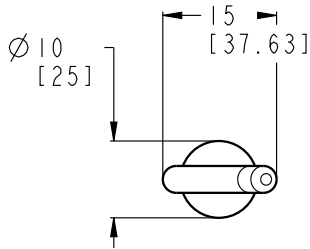
Nirbo water features are built to last, featuring a solid concrete body, stainless steel nozzle housing, and high-quality brass nozzle. With more than one hundred water feature options to choose from, this model represents just a small part of our extensive range. Brass nozzles are used for their superior performance and suitability for water applications.

BENT MIST | 03885-01

GPM	PSI	LPM	Max Bar
3	40	10	2.8
Width	Length	Height	
15" (38 mm)	10" (25 mm)	106" (270 mm)	

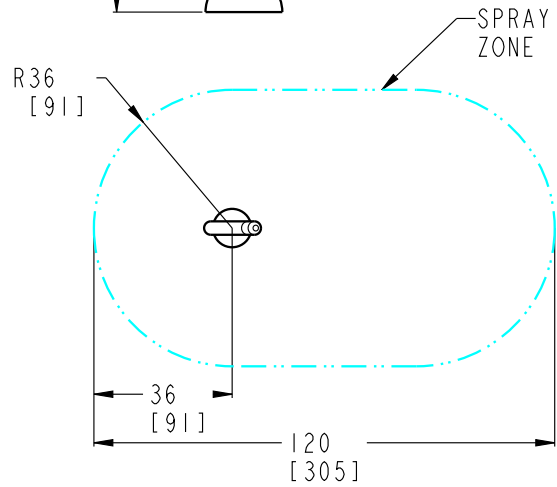
Nirbo Aquatic Inc.

2400 Lucknow Drive, unit 39, Mississauga, ON L5S 1T9, Canada
Toll Free: 1.888.68.NIRBO (64726) | Tel: 1.905.766.4474 | Fax: 1.905.766.4467
Website: www.nirbo.com | Email: info@nirbo.com



FOR FOOTING DETAILS SEE
DRAWING NO: 03008-33

FLOW (40 PSI)	NORMAL
GPM [LPM]	3 [10]



SCALE 1:50

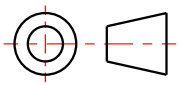
- 1- STRUCTURE: TYPE 304 STAINLESS STEEL
NOZZLE: BRASS
- 2- FINISH: UV RESISTANT POLYESTER POWDER COATING
- 3- PRODUCT INCLUDES:
ANCHOR BOLTS WITH HARDWARE AND FOOTING TEMPLATE
SPRAY NOZZLES
WINTER NOZZLE CAPS
SERVICE TOOLS
TAMPER RESISTANT HARDWARE
- 4- GROUND COMPONENT WITH #6 BARE COPPER WIRE
- 5- PRODUCT COMPLIANCE:
MEETS ADA ACCESSIBILITY GUIDELINES
MEETS CURRENT ASTM F1487 SAFETY STANDARDS

**NIRBO
AQUATIC INC.**

ALL INFORMATION CONTAINED
IN THIS DOCUMENT IS PROPERTY
OF NIRBO AQUATIC INC. AND
MAY NOT BE REPRODUCED OR
COMMUNICATED WITHOUT
PERMISSION IN WRITING FROM
NIRBO AQUATIC INC.

DATE
(yyyy.mm.dd)
2013.10.23

BENT MIST
SURFACE MOUNTED



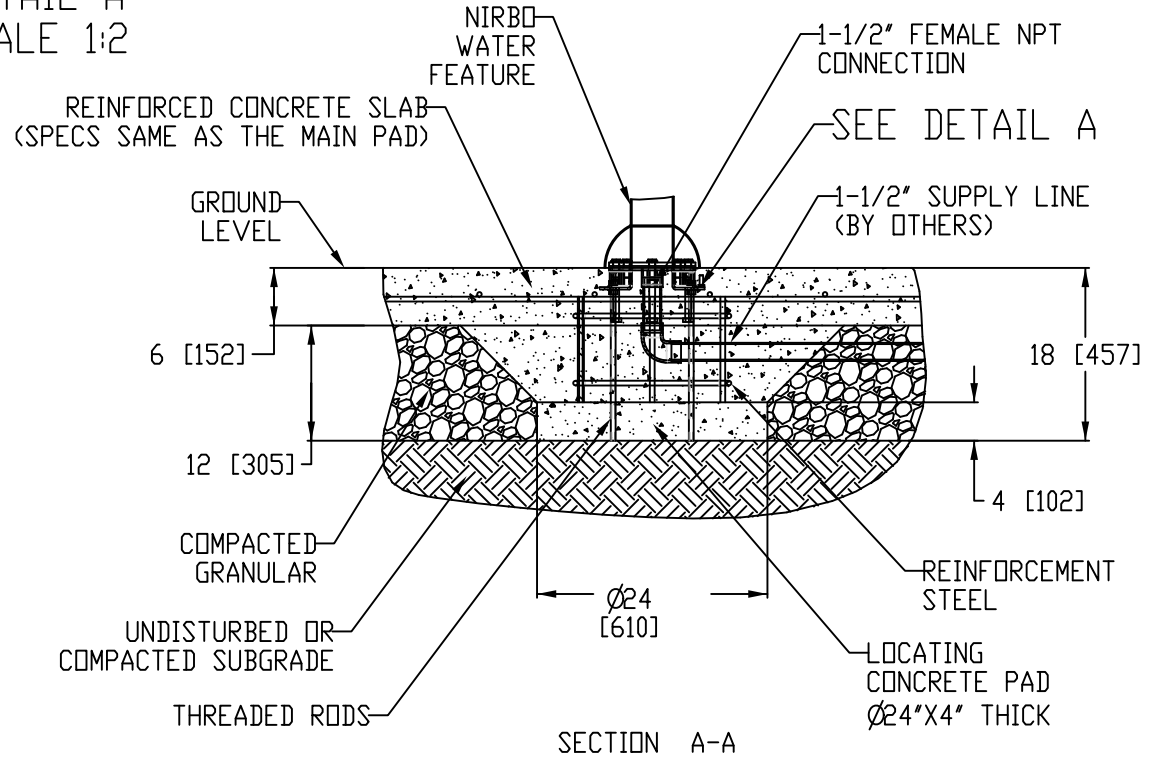
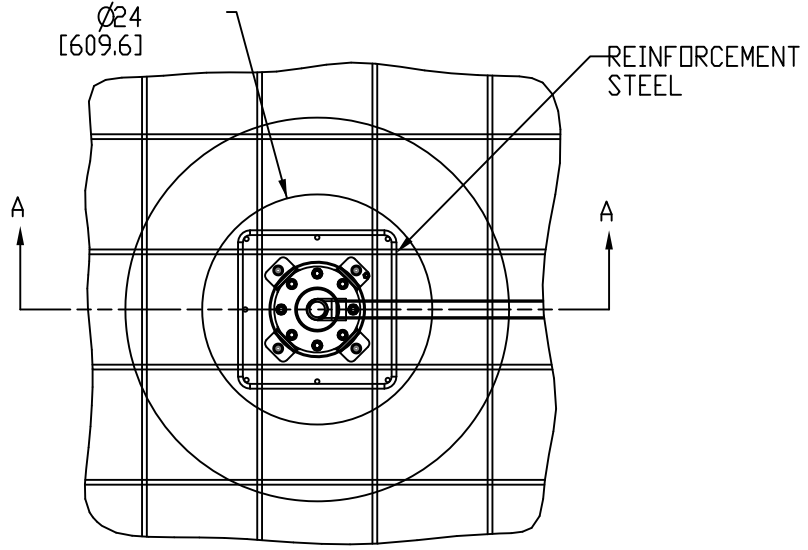
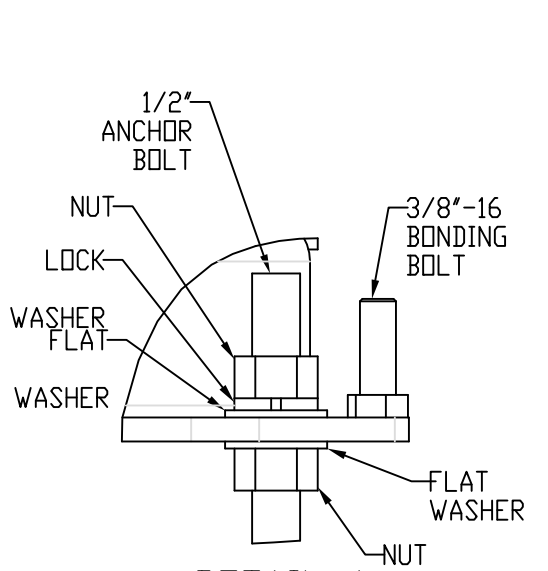
UNIT
INCH
[CM]

SHEET
1/2

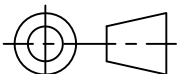
DRAWING NO
03885-01-D15

REV
01

Nirbo Aquatic Inc.
 Tel: 1-905-766-4474, Fax: 1-905-766-4467, Web: www.nirbo.com



- NOTES:
- 1- FOLLOW LOCAL CODES, WHEREVER APPLICABLE.
 - 2- GRANULAR BASE THICKNESS SHALL MEET LOCAL BUILDING CODE REQUIREMENTS.
 - 3- WATER SUPPLY LINE SHALL BE INSTALLED PER LOCAL BUILDING CODES.
 - 4- HARDWARE SUPPLIED BY MANUFACTURER SHALL BE USED.

NIRBO AQUATIC INC. 	ALL INFORMATION CONTAINED IN THIS DOCUMENT IS PROPERTY OF NIRBO AQUATIC INC. AND MAY NOT BE REPRODUCED OR COMMUNICATED WITHOUT PERMISSION IN WRITING FROM NIRBO AQUATIC INC.	DATE (yyyy.mm.dd) 2018.10.24	SURFACE MOUNTED INSTALLATION 4" PIPE FLANGE, CLASS 150#	
		UNIT INCH [mm]	SHEET 1/1	DRAWING NO 03008-33